



**PowerMaster Plus™**  
**MODEL F-350S**  
**Strip Nailer**



**PowerMaster Plus™**

**TOOL SCHEMATIC  
AND PARTS**

**SCHEMATIC UPDATE**

**IMPORTANT!  
DO NOT DESTROY**

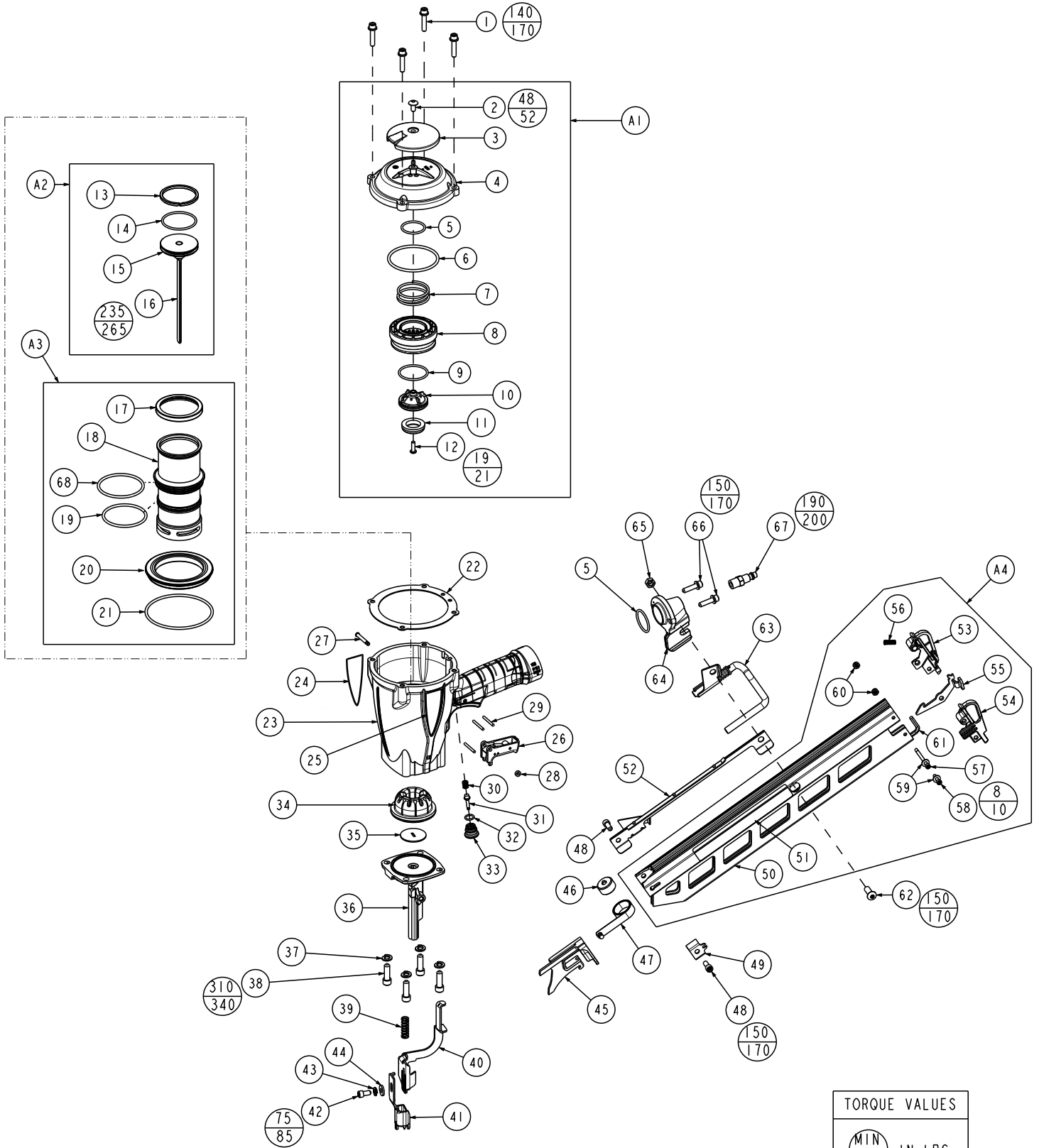
Always refer to the safety and maintenance manual #501069 for detailed information on this tool. It is the customer's responsibility to have all operators and service personnel read and understand this information.



# PowerMaster Plus™

## F-350S

501000

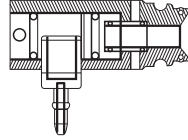


TORQUE VALUES	
MIN	IN-LBS
MAX	

# ACCESSORIES

## Remote Fire Valve

This valve via a positive air signal allows a machine mounted tool to be operated from an automatic air valve or foot pedal system.



Part No. 1X0713

## Adjustable No-Mar Tip Kit

Prevents you from marring wood surfaces. Kit includes an extra rubber tip. (Replacement Rubber Tip only - Part No. 501022)

Part No. 219228

## Cap Hanger Bracket

Attaches to the top of tool for storage or counter-balancing.

Part No. 1X0856

## Tool Repair Kit

Repairs cap air leaks, lack of power, skipping and/or sluggishness.

Part No. 219551

## Trigger Valve Kit

Repairs trigger valve air leaks.

Part No. 219224

## Lubricants and Loctite

Loctite 242 (Blue)  
Lubricating Oil 16 oz.  
Lubricating Oil with Antifreeze  
Chemplex 710 Lubricant 1 lb.  
Lubricant 5 gram tube



Part No. 093500  
Part No. 403720  
Part No. 219090  
Part No. 403734  
Part No. 219188

## Degreaser Cleaner

Ideal cleaner for all Paslode tools.

Part No. 219086

## Large Nylon Tool Case

Part No. 219246

## Safety Glasses

Clear  
Tinted

Part No. 402510  
Part No. 402512

# SAFETY INSTRUCTIONS

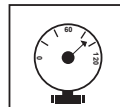
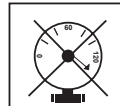
## WEAR EYE AND HEARING PROTECTION



Always wear hearing protection and eye protection devices, including side shields when operating or working in the vicinity of a tool.

Never use any bottled air or gases such as oxygen to operate the tool since they could cause the tool to explode.

## DO NOT EXCEED MAXIMUM RECOMMENDED AIR PRESSURE



Operate the tool using only the recommended air pressure. Do not exceed the maximum air pressure marked on the tool. Be sure the air pressure gauge is operating properly and check it at least twice a day.