



Part No. 906200

Model CF150-PP



**IMPORTANT!
DO NOT DESTROY**

It is the customer's responsibility to have all operators and service personnel read and understand this manual.

**CORDLESS 1-1/2"
POSITIVE PLACEMENT® NAILER**

OPERATING MANUAL


Contents

Subject	Page
Introduction and Warranty	3
An Overview of the Paslode Cordless 1-1/2" Positive Placement® Nailer.....	4
Safety Instructions	6
Battery and Charger	9
Fuel Cartridge	11
Preparing the Paslode Cordless 1-1/2" Positive Placement® Nailer for Use.....	14
Paslode Cordless 1-1/2" Positive Placement® Nailer Operation.....	15
Servicing.....	16
Troubleshooting	18

The battery charger system meets all safety requirements for power tools.



is a trademark
Paslode
An Illinois Tool Works Company
155 Harlem Avenue
Glenview, IL 60025
www.paslode.com

 Power Nailers are assembled in the U.S.A.

Paslode® is a member of:



Introduction and Warranty

Paslode Cordless 1-1/2" Positive Placement® Nailer Operating Manual

This manual is intended to acquaint you with the Paslode Cordless 1-1/2" Positive Placement® Nailer. Unlike other power fastening tools, this Cordless Nailer is powered by an internal combustion linear motor. In simpler terms, your Cordless Nailer is powered by a motor similar to the one that powers an automobile. This Cordless Nailer ignites a fuel and air mixture to produce the energy to power the motor, which in turn drives the fastener. This Cordless Nailer is totally self-contained. It carries its own fuel supply and battery, along with a supply of fasteners.

For ease of use, this manual is divided into sections (see Contents). Each section of the manual is written with you, the tool operator, in mind. We have left out many of the technical terms so that you can easily understand how to get the maximum performance from your Cordless Nailer, and how to avoid damaging the tool or injuring yourself. But, to accomplish this, we need you to do two things:

1. READ THE MANUAL FROM COVER TO COVER BEFORE USING THE TOOL.
2. FOLLOW ALL INSTRUCTIONS IN THE MANUAL.

This Cordless Nailer should be handled like other power fastening tools that you use. Like most tools, when used improperly injury could result. If you are going to allow others to use this Cordless Nailer, it is your responsibility to make sure that they also read and comply with the instructions in this manual before attempting to operate the tool.

Should you have questions about this Cordless Nailer, or wish to obtain additional copies of this manual, please contact your Paslode® Representative. The space below is provided so that you may record your representative's name, address, and telephone number.

Name

Address

City State Zip

Telephone Number

Paslode Cordless Warranty and Limitations

Paslode warrants that new Cordless power fastening tools, parts and accessories will be free from defects in material and workmanship for the period shown below, after the date of delivery to the original user.

CORDLESS 2 YEAR SERVICE PROMISE

Paslode will service the tool and replace all parts (including battery and charger system) which have failed during normal use for FREE, for a period of 2 years from date of purchase. For 2 Year Service Promise details and limitations see servicepromise.paslode.com.

FIVE-YEAR EXTENDED LIMITED WARRANTY

A five-year warranty will apply to all molded nylon parts:

- Motor Housing, Cap and Grille
- Handle Halves and Actuator
- Trigger
- Magazine Parts

WARRANTY STATEMENT

This warranty is limited to tools sold and service requested in the United States. To obtain information on warranty service in the United States, refer to the Service Center listing that was provided with your tool.

Paslode's sole liability hereunder will be to replace any part or accessory which proves to be defective within the specific time period. Any replacement part or accessory provided in accordance with this warranty will carry a warranty for the balance of the period of warranty applicable to the part it replaces. This warranty does not apply to part replacement required due to normal wear.

This warranty is void on any tool which has been subjected to misuse, abuse, accidental or intentional damage, use with fasteners, fuel, batteries, or battery chargers not meeting Paslode specification, size, or quality, improperly maintained, repaired with other than genuine Paslode replacement parts, damaged in transit or handling, or which, in Paslode's opinion, has been altered or repaired in a way that affects or detracts from the performance of the tool.

PASLODE MAKES NO WARRANTY, EXPRESSED OR IMPLIED, RELATING TO MERCHANTABILITY, FITNESS, OR OTHERWISE, EXCEPT AS STATED ABOVE, and Paslode's liability AS STATED ABOVE AND AS ASSUMED ABOVE is in lieu of all other warranties arising out of, or in connection with, the use and performance of the tool, except to the extent otherwise provided by applicable law. PASLODE SHALL IN NO EVENT BE LIABLE FOR ANY DIRECT, INDIRECT, OR CONSEQUENTIAL DAMAGES, INCLUDING, BUT NOT LIMITED TO, DAMAGES WHICH MAY ARISE FROM LOSS OF ANTICIPATED PROFITS OR PRODUCTION, SPOILAGE OF MATERIALS, INCREASED COST OF OPERATION, OR OTHERWISE.

Paslode reserves the right to change specifications, equipment, or designs at any time without notice and without incurring obligation.

Overview of the Paslode Cordless 1-1/2" Positive Placement® Nailer

Description

The Paslode Cordless 1-1/2" Positive Placement® Nailer is a self-contained, fully portable nailer that uses liquid hydrocarbon fuel to power a unique linear drive internal combustion motor.

In order for you to fully understand the information contained in this manual, you need a basic understanding of the Cordless Nailer. As you can see in the illustrations on the following page, this Nailer is made up of three major areas: handle, motor, and magazine.

As you examine the Nailer, become familiar with the three major areas and the various components located in each of them.

The **Handle Assembly** contains the fuel cartridge, indicator light, and the trigger.

The **Motor Assembly** contains the cover and filter, the motor housing, the nose, and the Nail Hole Locating Probe.

The **Magazine Assembly** contains the components to load and control the fastener and the battery for the Cordless Nailer.

NOTE: Altitude Restriction

Paslode Cordless tools are powered by an internal combustion engine and are effected by altitude. The tool may lose power or not cycle consistantly at elevations of 6000 feet (1,828 meters) or greater.

Specifications

Dimensions:	Weight-with battery	6.7 lbs
	Height	13.6 inches
	Length	12.2 inches
	Width	5.4 inches
	Magazine	29 Nails
	(use Paslode 1-1/2" Positive Placement® Nails only)	

Cycle Rate: Intermittent Operation – 2-3 nails per second

NOTE: Exceeding these cycle rates could cause the tool to overheat, resulting in loss of performance or damage to tool components.

By using this Paslode Cordless Nailer at its recommended cycle rate, you will be able to drive several thousand nails in a typical workday.

Fasteners: Paslode .131-.148" Positive Placement® Nails

Magazine Capacity: 1 nail strip, or 29 fasteners.

Battery : 7V DC - Provides enough energy to drive approximately 9,000 fasteners per charge.

Fuel Cartridge: Fuel cartridge- Provides enough fuel to drive approximately 800 fasteners.

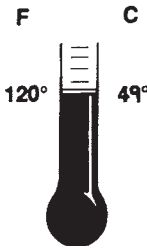

Overview of the Paslode Cordless 1-1/2" Positive Placement® Nailer







Safety Instructions



The following safety instructions have been included in this booklet to provide you with basic information necessary for safe operation of the Paslode Cordless Framing Nailer. **DO NOT ATTEMPT TO OPERATE THIS TOOL UNTIL YOU HAVE READ AND UNDERSTAND ALL SAFETY PRECAUTIONS AND MANUAL INSTRUCTIONS.**

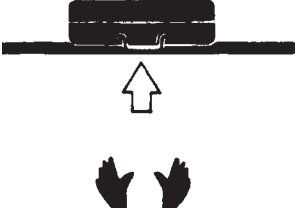

In addition to these instructions, training may be necessary. Contact your Paslode representative for additional information.

	 WARNING
	<p>Never expose or store the tool, fuel or battery at temperatures in excess of 120° F (49° C). Fuel and/or the battery may burst, releasing flammable gas.</p>

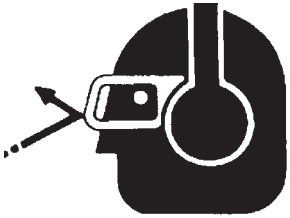

	 WARNING
	<p>The Paslode Cordless Framing Nailer is an internal combustion device. It produces hot exhaust gases that may ignite flammable materials. Never use the tool in a combustible environment or in the presence of combustible materials, such as flammable chemicals, adhesives, gasoline, or solvents.</p>

	 WARNING
	<p>This tool must be operated only in a well-ventilated environment, because the tool exhausts carbon monoxide similar to a gas chainsaw or lawnmower. Exposure to carbon monoxide from use in enclosed areas, may cause dizziness, nausea, or unconsciousness or death.</p>

	 WARNING
	<p>Never attempt to operate this tool until you have read and understood all safety precautions and manual instructions.</p> <p>Failure to follow all safety precautions instructions may result in a permanent loss of vision, serious personal or even fatal injury, property damage and/or tool damage.</p>

	 WARNING
	<p>ALWAYS keep the Cordless Framing Nailer, fuel cartridge, battery cell and battery charger out of the reach of children.</p>

Safety Instructions

	 WARNING
	EYE and EAR safety gear must be worn when working with or in the vicinity of the Paslode Cordless Framing Nailer.

1. Eye protection must meet the requirements of ANSI Standard Z87.1 and should have side shields for increased protection. As an employer you are responsible for enforcing the use of eye protection equipment by the tool operator and all personnel in the work area.
2. NEVER ASSUME THE TOOL IS EMPTY.
Never point the tool at yourself or anyone else.
3. NEVER ENGAGE IN "HORSEPLAY" WITH THE TOOL.
The Cordless Framing Nailer is not a toy – it is a tool. Careless and improper use may result in a serious accident.
4. NEVER CARRY THE TOOL WITH YOUR FINGER ON, OR SQUEEZING, THE TRIGGER.
This practice may result in the accidental discharge of a fastener.
5. NEVER OPERATE A MALFUNCTIONING TOOL.
Refer to the servicing or troubleshooting section of this manual to correct the problem. If the problem cannot be corrected, stop using the tool and report it to your supervisor or Paslode representative.
6. DO NOT LOAD FASTENERS WITH THE TRIGGER AND/OR WORK CONTACTING ELEMENT PRESSED IN. A fastener may be accidentally discharged.
7. NEVER OPERATE THE TOOL WITH THE WORK CONTACTING ELEMENT REMOVED OR DISABLED.
This device helps reduce the possibility of accidental fastener discharge by preventing the tool from operating until it is completely against the work surface.
NEVER operate the tool if the work contacting element is not working properly.

8. ALWAYS POINT THE TOOL AWAY FROM YOURSELF AND OTHERS WHEN CLEARING JAMS OR REMOVING FASTENERS. REMOVE THE FUEL CARTRIDGE AND BATTERY.



Pull the follower slightly back and push the release lever. Tip the tool nose up slightly and fasteners should slide out of the rear of the magazine. If fasteners are jammed, refer to the appropriate servicing section of this manual.

9. NEVER OPERATE THE CORDLESS FRAMING NAILER IF PARTS ARE LOOSE, DAMAGED OR MISSING.

10. NEVER DRIVE FASTENERS INTO KNOTS OR ON TOP OF OTHER FASTENERS.

A fastener may ricochet and cause serious injury.

11. OPERATE THE TOOL ONLY ON THE WORKPIECE.



	 WARNING
	The Cordless Framing Nailer must be operated only when it is in contact with the work surface. When fastening thin materials such as plywood, be sure to position the tool so that the fastener is driven into the underlying piece.

12. NEVER DRIVE FASTENERS INTO AREAS WITH CONCEALED HAZARDS.



Always check the area behind the work surface for electrical wiring, gas pipes, water pipes, sewer drains or other potential hazards.

Safety Instructions

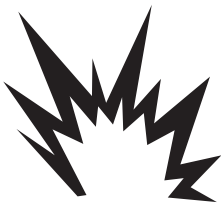

13. ALWAYS MAINTAIN SECURE AND UNOBSTRUCTED FOOTING WHEN ON LADDERS, PLATFORMS OR OTHER HIGH LOCATIONS.

	 WARNING
	<p>Never over-reach, since tool recoil may cause a loss of balance. Always be aware of edges and drop-offs when nailing on rooftops and other high locations. Keep them in full view.</p>

14. ALLOW ONLY QUALIFIED PERSONNEL TO OPERATE THE CORDLESS FRAMING NAILER.

	 WARNING
	<p>Only persons who have read and fully understand all tool operation, safety and maintenance instructions should be allowed to operate the tool.</p>

15. PROPERLY STORE FUEL CELL.

	 WARNING
	<p>Always store tool, fuel cartridge and battery where they will not be exposed to an open flame, sparks or temperatures above 120° F (49° C).</p>



16. ALWAYS STORE THE TOOL WITH THE FUEL CARTRIDGE AND BATTERY REMOVED.

Store the fuel cartridge in the case with the Cordless Framing Nailer.

17. KEEP THE TOOL CLEAN AND WELL MAINTAINED.



A clean tool is less likely to jam or malfunction.

18. KEEP YOUR HANDS CLEAR OF THE WORK AREA SURFACE.

	 WARNING
	<p>A fastener may exit at an angle unexpectedly and cause injury.</p>

CHARGING SYSTEM SAFETY INSTRUCTIONS!

IMPORTANT SAFETY INSTRUCTIONS! SAVE THESE INSTRUCTIONS!

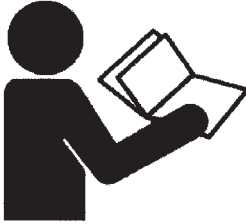

 DANGER 
<p>TO REDUCE THE RISK OF FIRE OR ELECTRIC SHOCK, CAREFULLY FOLLOW THESE INSTRUCTIONS</p>

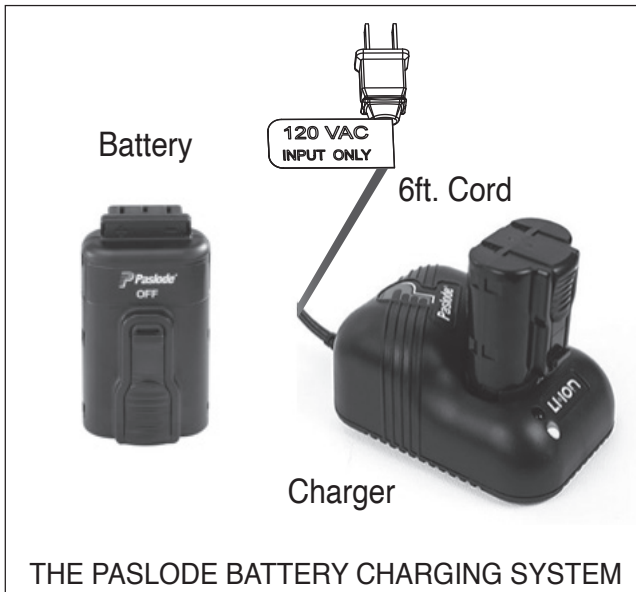
For connection to a supply outside North America, use an attachment plug adapter of the proper configuration for the power outlet, if needed.

Battery and Charging System

Important Charging Notes

The Paslode Cordless 1-1/2" Positive Placement® Nailer comes with a rechargeable battery and its own charging system. This charging system is the **only one that will work with the Paslode lithium-ion batteries**. The first step in preparing a new tool for operation is to fully charge the battery. **New batteries are shipped partially discharged and must be charged prior to first use.** Batteries will take 5 minutes to 1.5 hours (time will be dependent on the amount of discharge of the battery) to recharge.

	 Warning
	<p>CHEMICAL/EXPLOSION HAZARD Read ALL instructions before charging or using battery. Failure to follow ALL instructions may result in fire, severe burns, or release of toxic materials.</p>



Charging System Accessories:

Battery Charger - Part No. 902672

Charging Instructions

1. Remove the charger unit from the tool case and plug it into a 120V AC outlet. Set the charger base on a stable surface. A green light will come on to indicate the power is on and the charger circuit is ready.
2. Remove the battery from tool or case and insert terminals down into charger. The red light will come on indicating that the battery is charging and the green light will go out.

Note
<p>If battery is completely discharged, the red light and the green light may alternate back and forth for up to 20 minutes. This safety feature slowly recharges the battery until it is ready to accept the full charging current. If the red and green lights continue to alternate after 20 minutes, replace the battery.</p>

3. After charging is complete, the red light will go out and the green light will come on, indicating that the battery is fully charged. The charger will keep the battery at full charge until it is removed.
4. Unplug the charger from the 120V AC outlet.

CHARGING TIMES:

First charge (new battery)	1.5 hour
Discharged Battery	5 minutes to 1.5 hour

CHARGING DON'TS:

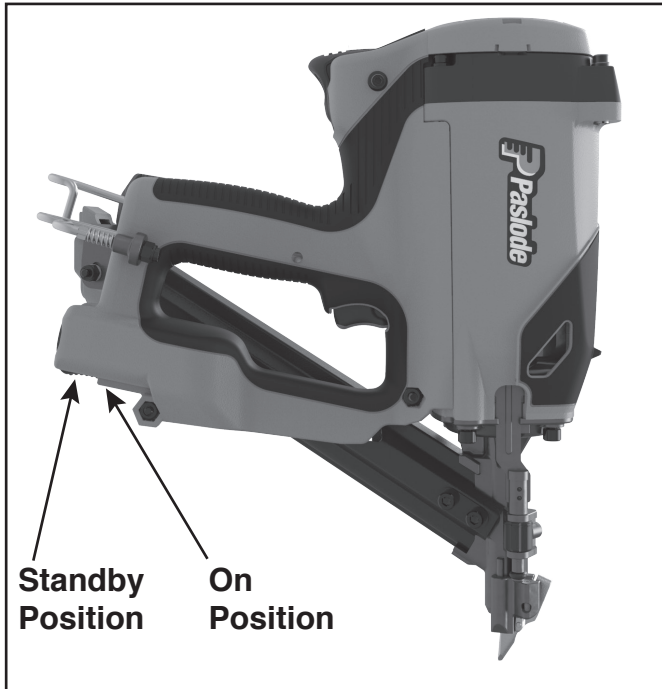
1. Do not charge battery outdoors or in temperatures below 40°F (5°C).
2. Do not allow metal objects to come in contact with battery terminals.
3. Do not puncture or attempt to open battery case or cells.
4. Do not store battery where it will be subjected to temperatures above 120°F (49°C).
5. Do not incinerate battery.
6. Do not use a defective battery charger, one that over-heats and/or smokes when plugged in.
7. Do not immerse the battery or charger in water.

Battery disposal:

The Paslode batteries contain lithium and should be recycled or disposed of properly.

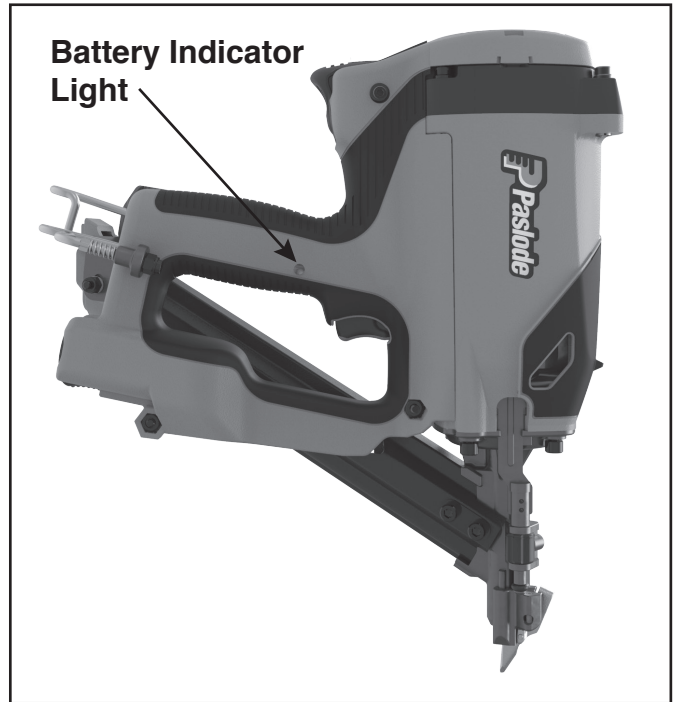
You may contact your local recycling center for information on where to return the spent battery or call 1-800-822-8837 for information on Li-ion battery recycling in your area.

Battery and Charging System



Battery Indicator Light

On the right side of the handle is a small plastic lens. This is the battery indicator light. When you insert a fully-charged battery into the tool, you will see a blinking green light. If the indicator light blinks red, recharge the battery.

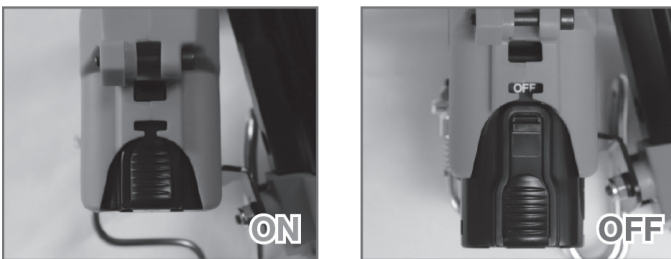


Inserting Battery

1. Load the battery, contacts first, into the Cordless Nailer.
2. Push battery fully forward into its locked **On** position. The battery indicator light will light.
3. To disengage the battery, push down on locking tab and slide battery back until it locks into the **Standby** position.
4. To remove battery, push down on locking tab and slide battery out.

NOTE: If battery is left in tool for an extended period, the battery will discharge completely and will require recharging.




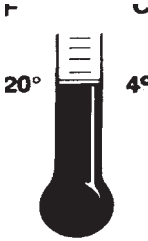
CORRECT BATTERY OPERATION




ON/OFF SWITCH. Battery has 2 secure lock positions: engaged and disengaged

Fuel Cartridge

Fuel Cartridge

	 DANGER
	<p>EXPLOSION/FIRE HAZARD</p> <p>Read ALL safety instructions before using or handling the fuel cartridge. Failure to follow ALL instructions may result in explosion or fire. This may cause severe personal injuries or property damage.</p>
	<p>Keep the fuel cartridge away from heat, sparks and open flame. Do not smoke when handling or operating tool or fuel cartridge.</p>
	<p>Exposure to temperatures above 120°F (49°C) may cause the fuel cartridge to burst, releasing flammable gas.</p>

 WARNING
<p>Sunlight can raise the inside temperature of an unventilated car or van to above 140°F (60°C).</p> <p>Never puncture or attempt to open the fuel cartridge; it is non-refillable.</p> <p>Never incinerate, reclaim or recycle the fuel cartridge.</p> <p>Never smoke while installing the fuel cartridge.</p> <p>Never inhale the spray.</p> <p>Keep out of the reach of children.</p> <p>Store fuel cartridge(s) in well-ventilated areas only.</p>



There is a second container inside the Paslode Framing Fuel Cell. This inner container holds the fuel. The space between the container and the outer cylinder is filled with a gas, called the propellant, which is under pressure.

To eject the fuel, propellant pressure squeezes the inner fuel container much as you squeeze a tube of toothpaste. This squeezing action ensures that all the fuel is used, and that the Cordless Nailer can operate in any position.

However, over time the propellant pressure diminishes until it is no longer able to squeeze the inner fuel container. This is why a nailer using a fuel cartridge beyond the “Best Use Before” date may not work consistently or at all.

If you expose the empty or expired Paslode Framing Fuel Cell to extreme temperatures, the propellant gas will expand and could cause the container to burst, releasing flammable gases.

The fuel contains a small amount of oil to keep the tool lubricated during use. **It is not necessary to oil the tool during normal operation.** When cleaning the tool, use only Paslode Cordless tool oil. Using oils not formulated for the Paslode Cordless Tool, may cause loss of power and may damage the internal parts of the tool's motor.

 DANGER 
<ol style="list-style-type: none"> 1. Do not attempt to remove or reuse the Paslode Framing Fuel Cell. 2. Do not attempt to install the fuel cartridge cap on other fuel cells. This may result in damage to the tool and injury to the user and by standers!



NOTE
<ol style="list-style-type: none"> 1. Never attempt to refill the cartridge! Replace with fresh fuel cartridge, and dispose of spent cartridge properly. 2. When replacing fuel cartridge also clean or replace air filter for optimum tool operation.

NOTE: Altitude Restriction
<p>Paslode Cordless tools are powered by an internal combustion engine and are effected by altitude. The tool may lose power or not cycle consistantly at elevations of 6000 feet or greater. For optimum performance use at 6000 feet or less.</p>

Fuel Cartridge

NOTE:

Paslode Cordless fuel cartridges are marked with a “Best Use Before” date on the bottom of the can. For maximum performance use fuel before the “Best Use Before” date.

 DANGER 
Paslode Cordless Fuel Cartridges are flammable. Do not remove fuel cartridge cap or install on other fuel cartridges!

Paslode Cordless Fuel Cell/Cartridge Disposal Guidelines

Paslode the industry leader in cordless technology provides this information to assist users with the proper disposal of discarded fuel cells/cartridges. Acceptable disposal options vary depending on the type of fuel cell/cartridge users. All users must consider federal, state and local solid waste regulations to ensure that discarded fuel cells/cartridges are disposed of properly. Users must contact their local solid waste authority for further guidance.

Discarded fuel cells/cartridges (used or unused) may be considered hazardous waste under the Resource Conservation and Recovery Act (RCRA) depending on several factors as described in the paragraphs that follow. Upon disposal used and unused fuel cells/cartridges may be classified as ignitable hazardous waste (waste code D001) under U.S. EPA regulations.

Hazardous waste generated by homeowners and contractors who perform routine maintenance for homeowners in their homes are not regulated by RCRA. In general, "household wastes" generated by homeowners and their contractors are exempt from hazardous waste regulation because those wastes are expressly excluded from the definition of hazardous waste. For example US EPA has excluded as "household waste" aerosol cans that contain residual product and propellant. Thus under federal hazardous waste regulations homeowners and contractors may dispose of discarded fuel cells/cartridges as general refuse in a properly permitted municipal landfill. These users must still contact their local solid waste authority to determine if any state or local regulation prohibits or restricts such disposal.

Paslode takes no responsibility for proper fuel cell/cartridge disposal. Proper disposal remains the responsibility of sellers and users. All sellers and users must contact their local solid waste authority to determine if any federal, state or local regulation prohibits or restricts disposal. Users may obtain more information about U.S. EPA hazardous waste regulations at the following internet address: www.epa.gov/epaoswee.osw/hazwaste.htm

Alternatively users may contact U.S. EPA's RCRA Superfund Call Center at 1-800-424-9346 to receive more information.

Fuel Cartridge

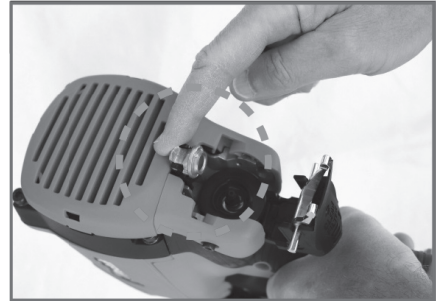
CORRECT FUEL CELL LOADING PROCEDURE



To open - Push forward, lift then back



Open fuel door assembly



Remove fuel cell carefully



Raise fuel tube block assembly, it will lock in up position



Load fuel cell



Carefully align fuel adaptor and cell stem



To close - Push forward, then down to lock fuel door

Preparing the Paslode Cordless 1-1/2" Positive Placement® Nailer for Use

Fasteners

The Paslode Cordless 1-1/2" Positive Placement® Nailer drives Paslode 1-1/2" Positive Placement® Nails. The use of fasteners that do not meet Paslode standards could cause tool damage and will void all warranty claims.

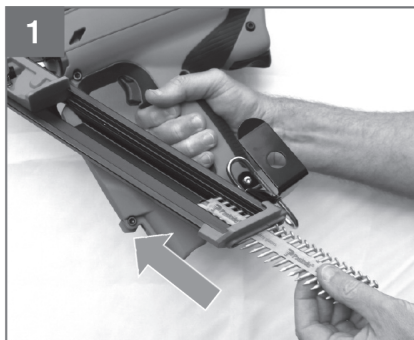
Lockout Feature

The purpose of this feature is to prevent needless blank cycling, which could mar woods, waste fuel and damage tool components. Five (5) nails will be left in the magazine when the follower reaches the lockout area. When changing fastener length or loading at the beginning of the work day, you should inspect the magazine and nose for any fasteners left in the tool. These nails will not be visible unless you open the nose of the tool.

Use **only** Paslode 1-1/2" Positive Placement® Nails



CORRECT NAIL LOADING PROCEDURE



1 Slide nail strip into back of magazine



2 Depress lever, then pull nail follower back past nail strip



3 Gently release follower onto rear of nail strip, to prevent collation damage

Paslode Cordless 1-1/2" Positive Placement® Nailer and Outdoor Weather

Use the Cordless Nailer outdoors, in dry weather, when the nailer, fuel cartridge and battery are between 45° (7.2°C) and 120°F (49°C).

HOT WEATHER OPERATION

The Cordless Nailer requires cooling of the motor assembly to operate properly. The fan normally provides the necessary air flow to permit continuous operation. Whenever the Cordless Nailer is idle for extended periods, keep the fuel and tool out of direct sunlight and in surroundings where temperatures will not exceed 120°F (49°C). After extended periods of continuous use, it may be necessary to cool the motor by setting tool aside for 10-15 minutes or until the tool operates normally. An overheated tool may not drive nails completely or may operate erratically.

COLD WEATHER OPERATION

When storing the Cordless Nailer in temperatures below 45°F (7.2°C) it may be necessary to first warm up the fuel and tool for proper operation.

Fuel cartridges at colder temperatures can lose their required propellant pressure. To correct this simply warm up the fuel cartridge by placing it in an inside coat pocket for several minutes.

Once the fuel is warm, insert the cartridge into the tool. Quickly depress the tool two times onto the work surface and hold the tool in the down position after the second actuation. Wait one or two seconds then pull the trigger. This action is referred to as "double pumping" and provides a richer fuel mixture to the cold tool to help initiate combustion.

Paslode Cordless 1-1/2" Positive Placement® Nailer Operation

Cold Weather Operation: (Continued)

It will be necessary to repeat this procedure several times until the temperature of the tool warms up enough to operate in its normal mode.

Once the tool reaches operational temperature the tool will generate its own heat and will function normally.

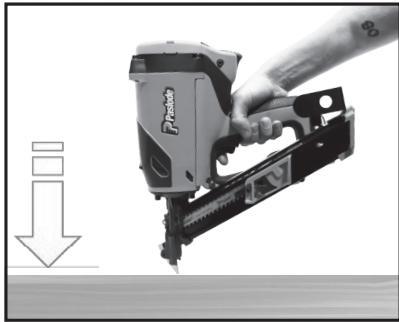
If the tool sits for an extended period of time and cools down it may be necessary to repeat these steps.

! WARNING

During the warm-up process, never expose the tool, fuel cartridge, or battery to flame.

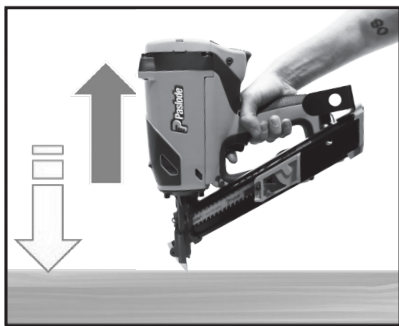
! CAUTION

The Cordless Nailer should not be used in the rain or where excessive moisture is present. The use of the Paslode® Cordless Technology under these conditions may result in damage to tool components and cause the tool to malfunction.

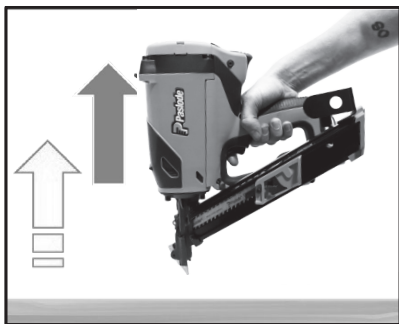


PRESS NAIL HOLE LOCATION PROBE AGAINST THE WORK SURFACE.

Fan motor starts, fuel is injected into combustion chamber and mixed with air by the fan.



SQUEEZE TRIGGER
Spark plug ignites the fuel/air mixture, driving the piston assembly down on the fastener.



RELEASE TRIGGER - LIFT TOOL
Combustion chamber opens. Fan exhausts, cooling internal components.

! DANGER

The Nail Hole Location Probe and nose will become hot after prolonged or rapid use. If it becomes necessary to adjust the Nail Hole Location Probe, avoid touching with bare hands.

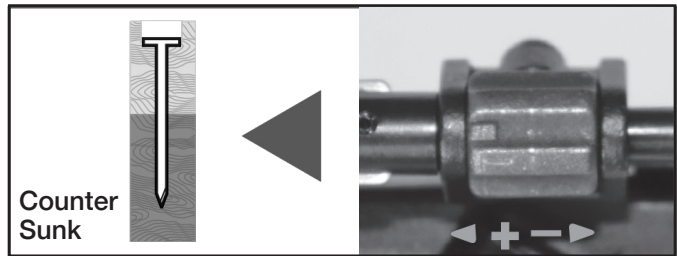
! CAUTION

This tool must be operated in a well ventilated environment, because the tool exhausts carbon monoxide similar to a chainsaw or lawn mower. Exposure to carbon monoxide may cause dizziness, nausea or unconsciousness.

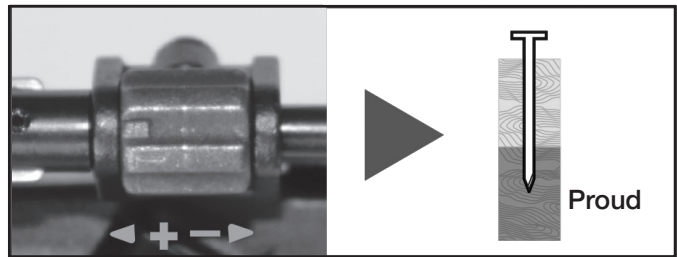
Depth of Drive Adjustment

Remove the battery before adjusting the depth of drive.

The depth of drive adjustment is done by turning the adjustment wheel as shown by the arrows on the side of the tool.



INCREASE DEPTH OF DRIVE



DECREASE DEPTH OF DRIVE

Servicing

Restrict Field Service to the Following

- CHECKING THE ENERGY LEVEL OF THE BATTERY
- RECHARGING THE BATTERY
- CHECKING THE FUEL CARTRIDGE
- REPLACING THE FUEL CARTRIDGE
- CLEANING/REPLACING THE AIR FILTER
- CLEARING A JAM

Attempts to go beyond these procedures could result in serious personal injury or damage to the Cordless Nailer and voiding the warranty.

There are certain problems you may encounter when you are using the Cordless Nailer that you will be able to correct on the work site. The following field service procedures are the only service procedures you should attempt. Anything else that may appear wrong with the Cordless Nailer should only be diagnosed and repaired by a fully trained service technician. If you have any reason to believe that your problem is beyond the service procedures in this manual, contact your Paslode® representative immediately.



DANGER

Never attempt any maintenance of a Paslode Cordless tool without first removing the fuel cell and battery. Maintenance should be started only after the tool is **completely** inoperative.

Fuel Cartridge Check

If the Cordless Nailer's fan operates and the indicator light is green, but the tool will not cycle or does not drive fasteners completely, check the fuel cartridge. With the fuel cartridge out of the tool, check to see if the cartridge still contains fuel and that the metering valve is working. To determine if there is any fuel left in the fuel cartridge, hold in the upright position and simply place the metering stem against a solid object, and gently push about three or four times. A small amount of fuel should be released each time.



DANGER

Wear safety glasses when performing this test. Never perform this test near an open flame or sparks, while smoking, or where the fuel may get into your eyes.

If fuel is not released with each operation of the metering valve, this indicates that there is no more fuel left in the cylinder and it must be replaced. Dispose of the empty fuel cartridge. (see page 11.)

Battery Check

Periodically check on the battery indicator light (the light in the handle) of the Cordless Nailer. When encountering a problem, the first step should always be to make sure the battery has enough charge to operate the tool.

When the Nail Hole Locating Probe is depressed on the work piece, the fan motor will turn on and the blinking green indicator light will turn solid green. If the indicator light blinks red or glows red, recharge the battery.

CLEANING THE AIR FILTER



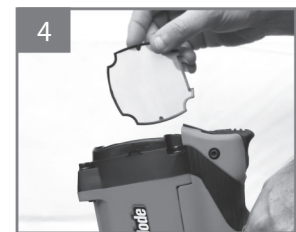
1 Use a flat bladed screwdriver to remove cap



2 Tap filter gently against hard surface to remove dust



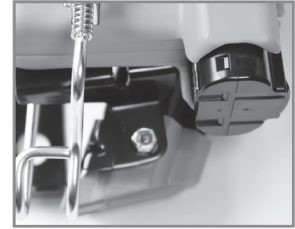
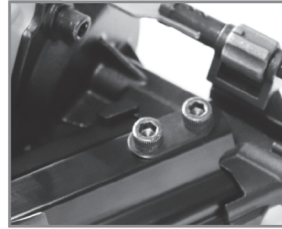
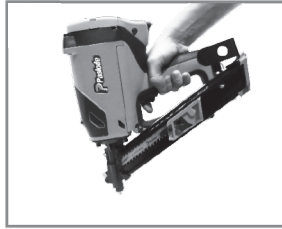
3 Cleaner/Degreaser or soap and water restores the filter



4 Filter will look like new

Servicing

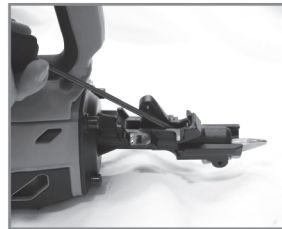
CLEARING A FASTENER JAM



Remove Battery, Fuel Cell and Nails

Remove 2 cap screws on side of magazine securing magazine to the nose

Remove nut from rear of magazine.



Remove the magazine assembly to expose the back of the nose slot. (Be careful the nail follower does not come out of the magazine channel)

Push or punch the driver blade back to top rest position, using a long punch (if needed)

With driver blade clear, operator is free to remove jammed or bent nail

Reassemble tool, attach magazine to nose, replace cap screws and nut. Tool is ready to use.

End-of-Workday Routine

These simple steps are based on maintaining the safety and operational efficiency of the Cordless Nailer.

Before you leave the work site:

1. Remove battery and store in tool case. Always use the Cordless Nailer case for transporting and storing the tool.
2. Dispose of all empty fuel cartridges. Remember to dispose of these fuel cartridges where they will not be crushed, punctured, burned or found by children.

When you get home:

1. Place the battery in its charger if it needs charging as indicated by the red charge light on the handle.
2. Wipe your Cordless Nailer with a clean soft cloth.
3. Remove and clean the filter every two days.
4. Check Nail Hole Locating Probe to ensure it is operating freely.

Tool Cleaning and Oiling

Periodic cleaning and oiling are necessary to keep the Paslode Cordless Nailer operating properly. The tool should be cleaned and lubricated at least every 50,000 cycles. This number may vary depending upon the rate at which the tool is used and the operating conditions it is used in. The chart in the cleaning instructions will help you determine how often the tool should be cleaned.

Paslode Cordless Tool Accessories

A variety of accessories are available for the Paslode Cordless 1-1/2" Positive Placement® Nailer:

Battery - Part No. 902654

Tool Cleaner - Part No. 219348

Clear Safety Glasses - Part No. 401382

Paslode Cordless Lubricating Oil - Part No. 401482

Battery Charger - Part No. 902672

Paslode Cordless 1-1/2" Positive Placement® Nailer Case - Part No. 906107

Contact your Paslode® representative for additional information.

Tools

A 9/64 Hex Wrench (Part No. 900736) is provided with each Cordless 1-1/2" Positive Placement® Nailer.

For technical support call:

1-800-222-6990

or email:

tech@paslode.com

Troubleshooting

Preparing Tool for Operation - Battery/Charger Problems

SYMPTOM	POSSIBLE PROBLEMS	SERVICE
Battery does not appear to accept charge when battery is plugged into the charger.	Inoperative indicator lights on charger, or defective charger.	Try battery in tool after a full charge cycle. If tools indicator light is red, charger not working properly. Replace charger, or monitor charging time to ensure battery has adequate time for recharging. It is normal for battery to feel warm after properly charging.
	Battery damaged or cycle life exhausted.	Replace battery.
Charger gets hot, makes excessively loud noise, or smokes during charging cycle. Charger cord or wall plug gets hot.	Damaged charger.	Discontinue use immediately and unplug from power source. Replace charger and tag or dispose of charger to prevent accidental re-use or connection to power source.

Normal Stage of Operation

SYMPTOM	POSSIBLE PROBLEMS	SERVICE
Fan does not run - tool indicator light is blinking red or solid red.	Battery is not charged.	Charge battery.
	Battery terminals are oily, dirty, or corroded.	Clean battery terminals with soft cloth.
Fan does not run, or runs slower than normal - tool indicator light is solid red.	Battery is discharged.	Charge battery.
Nail Hole Locating Probe does not depress fully - tool does not operate.	Nail Hole Locating Probe is bent, or build-up of debris in track restricts operation.	Remove and inspect the Probe. Clean track. Repair or replace the Probe as required.
	Lockout feature is engaged.	Add strip of nails.
Tool will not cycle - fan runs, indicator light is solid green.	Fuel Cell empty or too cold.	Replace fuel cell or see weather guidance above.
	Spark wire out of spark plug.	Remove cap and check spark lead, insert in spark plug and replace cover.
	Spark plug is dirty.	Clean tool cylinder head and spark plug.
	No spark is generated.	Return tool to authorized Paslode® dealer for service.
Tool does not fire but fan runs, battery is charged, and there is fuel in the cell.	Driver blade is stuck down.	Remove nails, battery and fuel. Use the provided allen wrench to push the drive blade back into position.

If tool will not operate after following the above service directions, return the tool to an authorized Paslode® representative for service.

For technical support call:
1-800-222-6990
or email:
tech@paslode.com

 **Paslode®**
 An Illinois Tool Works Company
 155 Harlem Avenue
 Glenview, IL 60025
 www.paslode.com

Troubleshooting

Normal Stage of Operation

SYMPTOM	POSSIBLE PROBLEMS	SERVICE
Tool operates properly, but fasteners do not drive fully.	Nail Hole Locating Probe requires adjustment.	Adjust the Probe.
	Fuel cell is low.	Check fuel cell and replace as required.
	There may be loss of seal in combustion chamber.	Press Nail Hole Locating Probe against workpiece for one minute. Pull trigger. If fastener does not drive, there is a leak that requires service.
Tool operates properly, but fasteners are sometimes over-driven, and sometimes under-driven.	Nail Hole Locating Probe is not adjusted properly for the type of material being fastened.	Adjust the Probe. Readjust as required when material density or thickness of material being fastened changes.
Tool operates, but no fastener is driven.	Wrong fasteners being used.	Use only fasteners meeting Paslode® specifications. Check Fasteners and Applications section for fastener types and sizes recommended for use in Paslode Cordless tool.
	Follower not properly engaged behind fastener strip.	Position follower behind fastener strip and engage strip.
	Jammed fastener.	Clear jam.
Tool operates erratically or appears to be losing power - tool indicator light is green.	Fuel cell is low or too cold.	Check fuel cell.
	Spark plug wire is loose.	Check spark plug wire.
	Air filter is dirty, causing tool to overheat.	Remove air filter and clean. Use soap and water to remove stubborn debris.
	Tool is dirty.	Clean tool.
Tool operated and drove fasteners, but driver blade did not return to up position.	Built-up dirt and debris on driver blade or in nose bore.	Clean driver blade and nose bore with degreaser cleaner.
	Tool is dirty.	Clean tool.
Combustion chamber does not drop after tool cycles.	Nail Hole Locating Probe is bent, or is dirty.	Clean track or replace the Probe.

CORDLESS

FREE 2 YEAR SERVICE PROMISE

NO QUESTIONS ASKED

*Work all day, every day—
if your nailer stops for
any reason, we'll fix it.
No questions. No hassles.
NO COST!*

Still not working? Here are more options:

- Your nailer may qualify for our Cordless 2 Year Service Promise. Visit paslode.com for more information or call us at 1-800-222-6990.
- Keep your cordless nailer in top form. Visit paslode.com and watch our Cleaning and Maintenance videos.



PARTS LEGEND

1	919042	1 Grill	44	919130	1 Handle RH		
*	2	900455	1 Filter	45	900662	1 Wire Harness, ESU	
3	901065	4 Screw SHC 10-24 x 1-1/4	46	916258	1 Electronic Spark Unit (ESU)		
4	906222	1 Cap	47	919092	2 Nut, Nyloc 10-24		
5	900902	3 Screw TF SEMS 8-32 x 5/8	48	901095	1 Slide Switch Assembly		
6	902637	1 Limiter	49	919068	1 Circuit Board Assembly		
7	902635	1 Motor Assembly, Fan	50	918903	2 Pad, Foam (Battery)		
8	900287	1 Spark Plug Assembly	51	404702	3 Screw TF 6-19 x 3/8		
9	401356	1 Sleeve, Fan Motor	52	919121	1 Trigger Assembly		
10	904517	1 Fuel Barb	53	903728	1 Wire Lead Assembly, Spark		
11	904546	1 Fuel Tube	54	919063	1 Wire Lead Assembly, Fan Motor		
12	902405	1 Fuel Block	■	55	919079	1 Locknut - Utility Hook	
13	904521	1 Pivot Arm, Fuel Tube	56	919076	1 Utility Hook Button		
14	919219	1 Cylinder Head - All Weather	57	919077	1 Utility Hook Block		
*	15	919067	4 Seal Ring, Cylinder Head and Sleeve	58	919078	1 Spring - Utility Hook	
16	403167	1 Fan Blade Assembly	59	919075	1 Utility Hook		
17	906223	1 Combustion Chmbr Assmby-All Weather	60	904532	1 Wire Clip		
■	18	919065	4 Screw TX SEMS 8-32 x 3/8	61	904705	1 Lockout Body - Molded	
19	919213	1 Bracket, Chamber Lockout	62	919217	1 Lockout Spring		
20	919004	1 Ring Retaining Clip	63	919215	1 Lockout Pin		
*	21	906120	1 Driver & Piston Assembly	64	906129	1 Handle LH - MOD	
*	22	900612	2 Seal Ring, Piston	65	906118	1 Belt Hook and Bracket Assembly	
23	919117	1 Sleeve Assembly	66	906114	2 Bracket/Belt Hook Screws		
■	24	900595	4 Screw TX SEMS 8-32 x 3/8	67	901066	2 Screw TF TX 8-16 x 3/4	
25	919010	1 Cover, Muffler	68	919093	2 Screw 10-24		
*	26	919049	1 Muffler	■	69	502338	2 Screw SHC 1/4-28 UNF x 1/2
*	27	919009	1 Reed Valve	70	502323	1 Washer Plate, Magazine	
28	919011	1 Reed Plate	71	906215	1 Magazine Assembly		
29	919016	1 Baffle, Exhaust	72	092037	2 Nut, Lock		
* 30	919014	1 Seal, Exhaust	73	408302	2 Washer, Flat		
* 31	919017	1 O-Ring	74	502329	1 End Cap, Magazine		
* 32	919012	1 Bumper	75	906150	1 Bolt SHC 10-32 x 1		
33	919046	1 Spring, Yoke	76	502226	1 Spring, Negator		
34	919123	1 Yoke Assembly	77	502025	1 Drum & Pin Assembly		
35	018956	1 Wheel, Depth Adjustment	78	502335	1 Lockout Bar		
36	919110	1 O-Ring, Retaining	79	502340	1 Roll Pin		
37	919142	1 Housing Assembly	80	502318	1 Follower Body		
38	906102	1 Nose	81	500627	1 Screw SHC 8-32 x 1/2		
39	906141	1 Probe Assembly	82	502020	1 Spring, Follower		
■	40	919108	4 Screw SHC SEMS 1/4-20 x 7/8	83	513101	1 Lever, Follower	
41	919161	1 Fuel Door Assmby - All Weather	84	513116	1 Follower Assembly		
42	919116	2 Screw SCH 8-32 x 3/8					
43	919115	2 Bushing					

* Normal Wear Item

■ Apply Loctite® 242 (Blue)

AR As Required



Remove battery & nails before commencing service.

Use eye and ear protection when operating/testing tools.

Use eye protection when cleaning tools.

Use degreaser in a well ventilated area.

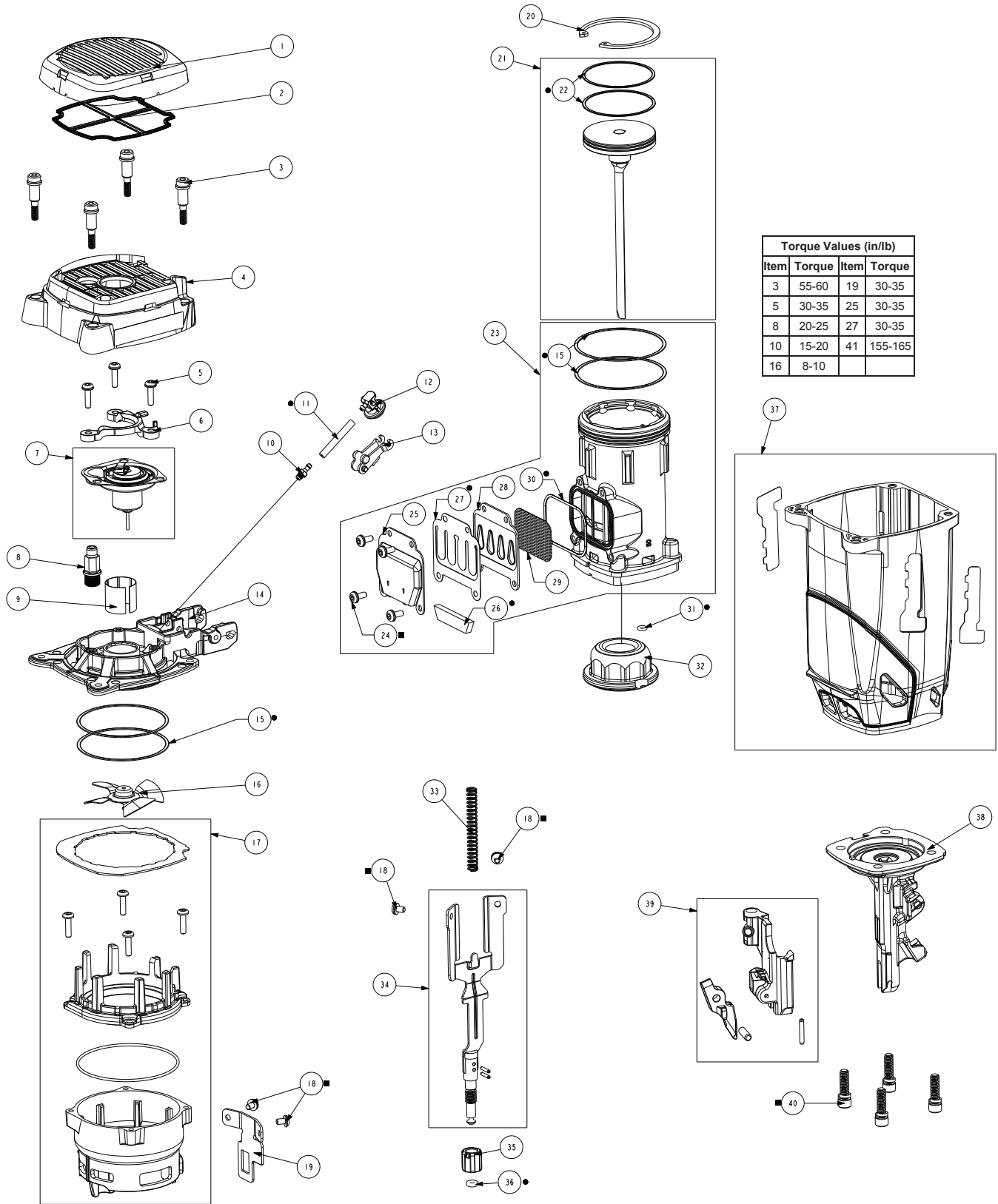


WARNING: All parts must be periodically inspected and replaced if worn or damaged.

Failure to comply can affect the tool's operation and present a safety hazard.

Schematics (cont.)

Part No. 906200
Model CF150-PP



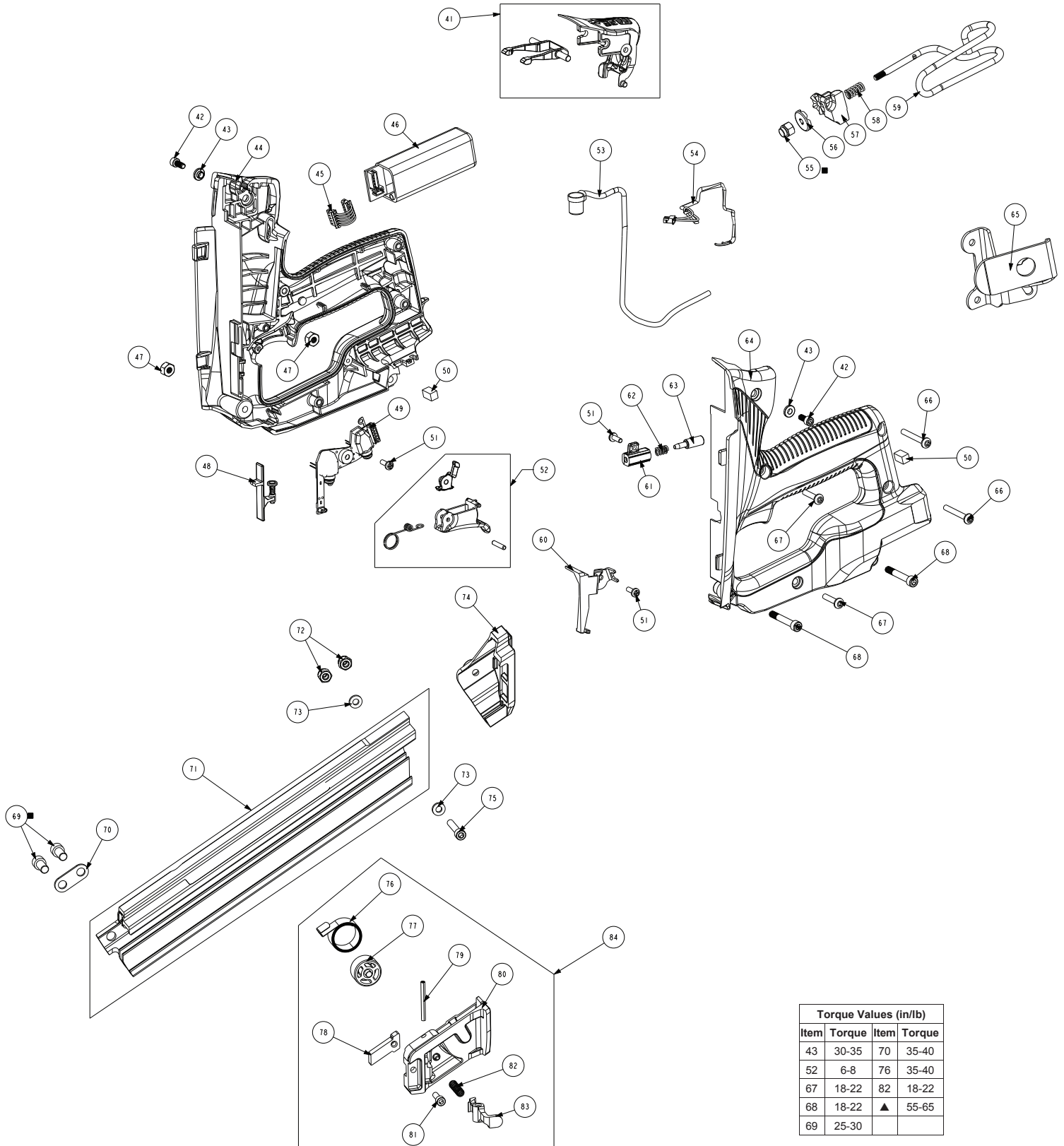
Torque Values (in/lb)			
Item	Torque	Item	Torque
3	55-60	19	30-35
5	30-35	25	30-35
8	20-25	27	30-35
10	15-20	41	155-165
16	8-10		

- Service Kit Item
- Loctite® 242

All parts sold as single items unless described as a pack, set or forms part of an assembly (multiple items defined within a box). A part with no item number is only available in an assembly.

Schematics (cont.)

Part No. 906200
Model CF150-PP



- Service Kit Item
- Loctite® 242

Torque Values (in/lb)			
Item	Torque	Item	Torque
43	30-35	70	35-40
52	6-8	76	35-40
67	18-22	82	18-22
68	18-22	▲	55-65
69	25-30		

All parts sold as single items unless described as a pack, set or forms part of an assembly (multiple items defined within a box). A part with no item number is only available in an assembly.