



**MODEL WCS200  
16 Gauge Wide  
15/16" Crown  
Stapler**

**IMPORTANT!**

**DO NOT DESTROY**

It is the customer's responsibility to have all operators and service personnel read and understand this manual.

**OPERATING MANUAL AND  
SCHEMATIC**

## INTRODUCTION

The **PASLODE® WCS200** standard crown stapler is a quality-built tool designed for use in residential applications. This tool will deliver efficient, dependable performance when used according to the manufactures guidelines. Please study this manual including the safety instructions to fully understand the operation of this tool.

<b>TOOL AND FASTENER SPECIFICATIONS</b> .....	<b>3</b>
<b>SAFETY INSTRUCTIONS</b> .....	<b>4</b>
<b>TOOL OPERATION</b> .....	<b>5</b>
<b>EXPLODED VIEW AND SPARE PARTS LIST</b> .....	<b>10-11</b>
<b>ACCESSORIES</b> .....	<b>12</b>

### TOOL WARRANTY AND LIMITATIONS

Paslode warrants that newly purchased power fastening tools, parts and accessories will be free from defects in material and workmanship for the period shown below, after the date of delivery to the original user.

#### ONE-YEAR FULL WARRANTY

A one-year warranty will apply to all parts, except those which are specifically covered by an extended warranty.

#### FIVE-YEAR EXTENDED LIMITED WARRANTY

A five-year warranty will apply to all housing and cap assembly castings.

#### WARRANTY STATEMENT

**This warranty is limited to tools sold and service requested in the United States. To obtain information on warranty service in the United States, refer to the Service Center listing that was provided with your tool.**

Paslode's sole liability hereunder will be to replace any part or accessory which proves to be defective within the specific time period. Any replacement part or accessory provided in accordance with this warranty will carry a warranty for the balance of the period of warranty applicable to the part it replaces. This warranty does not apply to part replacement required due to normal wear.

This warranty is void as to any tool which has been subjected to misuse, abuse, accidental or intentional damage, use with fasteners, not meeting Paslode specification, size, or quality, improperly maintained, repaired with other than genuine Paslode replacement parts, damaged in transit or handling, or which, in Paslode's opinion, has been altered or repaired in a way that affects or detracts from the performance of the tool.

PASLODE MAKES NO WARRANTY, EXPRESSED OR IMPLIED, RELATING TO MERCHANTABILITY, FITNESS, OR OTHERWISE, EXCEPT AS STATED ABOVE, and Paslode's liability AS STATED ABOVE AND AS ASSUMED ABOVE is in lieu of all other warranties arising out of, or in connection with, the use and performance of the tool, except to the extent otherwise provided by applicable law. PASLODE SHALL IN NO EVENT BE LIABLE FOR ANY DIRECT, INDIRECT, OR CONSEQUENTIAL DAMAGES, INCLUDING, BUT NOT LIMITED TO, DAMAGES WHICH MAY ARISE FROM LOSS OF ANTICIPATED PROFITS OR PRODUCTION, SPOILAGE OF MATERIALS, INCREASED COST OF OPERATION, OR OTHERWISE.

Paslode reserves the right to change specifications, equipment, or designs at any time without notice and without incurring obligation.

## TOOL AND FASTENER SPECIFICATIONS

### TOOL SPECIFICATIONS

MODEL NO.	WCS200 (Part# 515800)
HEIGHT	11.7"
WIDTH	3.4"
LENGTH	15.1"
WEIGHT	5lbs. 15 oz
OPERATING PRESSURE	80 to 120 p.s.i. (5.5 to 8.3 bars)

### FASTENER SPECIFICATIONS

STAPLE LENGTH	3/4"-2"
STAPLE DIAMETER	16 gauge

### TOOL AIR FITTINGS:

This tool uses a 1/4" N.P.T. male plug. The inside diameter should be .28" (7mm) or larger. The fitting **must** be capable of discharging tool air pressure when disconnected from the air supply.

### OPERATING AIR PRESSURE:

80 to 120 p.s.i. (5.5 to 8.3 bars). Select the operating air pressure within this range for best tool performance.

**DO NOT EXCEED THIS RECOMMENDED OPERATING PRESSURE.**

# SAFETY INSTRUCTIONS

## SAFETY FIRST

These safety instructions provide information necessary for safe operation of Paslode® tools. **DO NOT ATTEMPT TO OPERATE THE TOOL UNTIL YOU READ AND UNDERSTAND ALL SAFETY PRECAUTIONS AND MANUAL INSTRUCTIONS.**



### WEAR EYE AND HEARING PROTECTION

Always wear hearing and eye protection devices, that conform to ANSI Z87+ requirements, when operating or working in the vicinity of a tool. As an employer you are responsible for enforcing the use of eye protection. Wear hard hats in environments that require their use.

### THE TOOL MUST BE USED ONLY FOR THE PURPOSE FOR WHICH IT WAS DESIGNED

Do not throw the tool on the floor, strike the housing in any way or use the tool as a hammer to knock material into place.

### NEVER ENGAGE IN HORSEPLAY WITH THE TOOL

The tool is not a toy so do not use it like one. Never engage in horseplay with the tool or point it at yourself or any other person, even if you think it is not loaded.

### NEVER ASSUME THE TOOL IS EMPTY

Check the magazine for fasteners that may be left in the tool. Even if you think the tool is empty or disconnected, never point it at anyone or yourself. Unseen fasteners could fire from the tool.

### NEVER CLAMP THE TRIGGER IN A LOCKED OR OPERATING POSITION

The trigger of the tool must never be tampered with, disabled or clamped in a locked or operating position since this will cause the tool to drive a fastener any time the work contacting element depressed.

### DO NOT LOAD FASTENERS WITH THE AIR LINE CONNECTED, OR WITH THE TOOL TRIGGER OR WORK CONTACTING ELEMENT DEPRESSED

When loading fasteners into the tool be sure you disconnect the air line and that you do not depress the trigger or work contacting element.



### OPERATE THE TOOL ONLY ON A WORKPIECE

The tool should be operated only when it is in contact with the workpiece. Even then you should be careful when fastening thin material or working near the edges and corners of the workpiece since the fasteners may drive through or away from the workpiece.

### DO NOT DISABLE OR REMOVE THE WORK CONTACTING ELEMENT

This tool is equipped with a safety mechanism, called a work contacting element, to help prevent accidental firing. Never tamper with, disable or remove the work contacting element. Do not use the tool unless the work contacting element is working properly. The tool could fire unexpectedly.



### CARRY THE TOOL ONLY BY THE HANDLE

Always carry the tool by the handle only. Never carry the tool by the air hose or with the trigger depressed since you could drive a fastener unintentionally and injure yourself or someone else.

### DO NOT WEAKEN THE TOOL HOUSING

The tool housing is a pressure vessel and should never be weakened by having your company's name, area of work or anything else stamped or engraved into its surface.

### DISCONNECT THE TOOL WHEN PERFORMING REPAIRS AND CLEARING JAMS

Never attempt to clear a jam or repair a tool unless you have disconnected the tool from the air line and removed all remaining fasteners from the tool.

### ALWAYS USE THE PROPER FITTING FOR THE TOOL

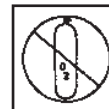
Only MALE pneumatic type air connectors should be fitted to the tool, so that high pressure air in the tool is vented to atmosphere as soon as the air line is disconnected.

NEVER install FEMALE quick disconnect couplings on the tool. Female couplings will trap high pressure air in the tool when the air line is disconnected, leaving the tool charged and able to drive at least one fastener.



### DO NOT EXCEED THE MAXIMUM RECOMMENDED AIR PRESSURE

Operate the tool only at the recommended air pressure. Do not exceed the maximum air pressure marked on the tool. Be sure the air pressure gauge is operating properly and check it at least twice a day.



Never use any bottled air or gases such as oxygen to operate the tool since they could cause the tool to explode. Do not operate in explosive atmospheres.

### INSPECT TOOL FOR PROPER OPERATION

### USE ONLY PASLODE RECOMMENDED PARTS AND FASTENERS

Use only parts and fasteners specifically designed and recommended by Paslode for use in the tool and for work to be done. Using unauthorized parts and fasteners or modifying the tool in any way creates dangerous situations. Replace all missing warning labels. Refer to tool schematic for correct placement and part number.

## **⚠ WARNING**

Failure to follow any of the above instructions could result in severe personal injury to tool user and bystanders or cause damage to tool and property.

Contact your local Paslode Representative for presentation of Paslode's Safety Awareness Program

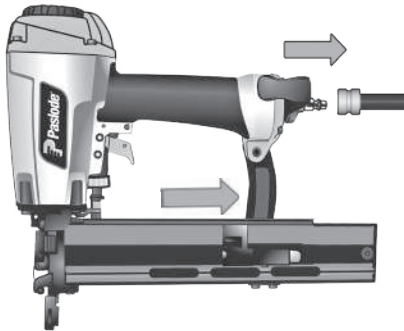
# TOOL OPERATION

## Fasteners

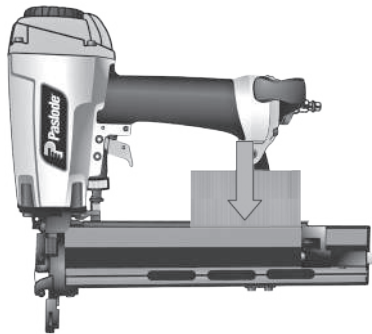
The Paslode® WCS200 standard crown stapler drives Paslode® 16 gauge fasteners designed to be used with the tool. The use of fasteners that do not meet Paslode standards could cause tool damage and will void all warranty claims

## Loading Fasteners

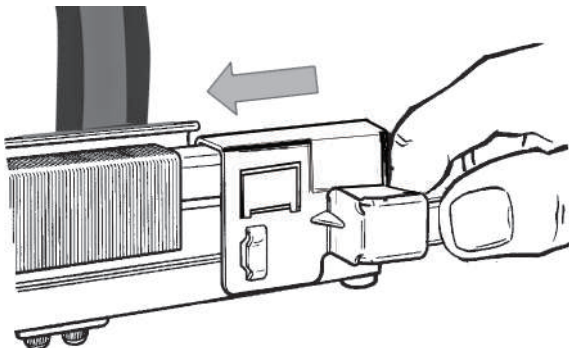
**Step No. 1** – Disconnect the tool from the air supply, pull back the rail follower until it latches at the end of the magazine. The rail cover will automatically open.



**Step No. 2** – Insert the staple strip into the magazine rail.



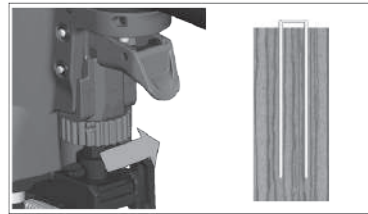
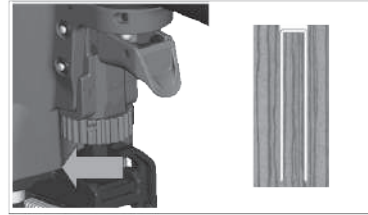
**Step No. 3** – Press the follower latch release lever or unlatch the follower and slide the follower forward until it contacts the staple strip. Reconnect air supply. The tool is now ready for use.



## Depth of Drive Adjustment

**Disconnect the air supply.**

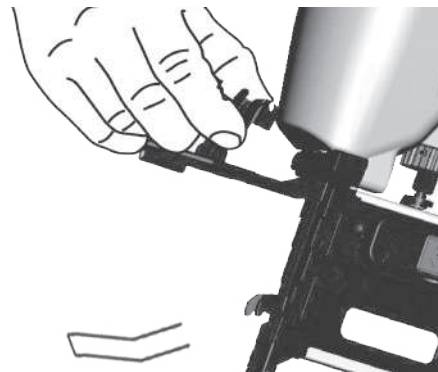
The depth of drive adjustment is done by turning the adjustment wheel located below the trigger.



## Clearing a Jam

An occasional problem you may encounter is a jammed fastener. Because of the unique design of the Paslode stapler, clearing a jammed fastener is easy:

1. Disconnect the air supply
2. Pull the latch, releasing front guide. Pivot front guide forward.
3. Clear jam, and push driver blade back up to its normal position.
4. Close front guide and latch it. Check that work contacting element moves freely.



## Lockout Feature

The purpose of this feature is to prevent needless blank cycling, which could mar woods and damage tool components. The work contact element will lock when the follower reaches the lockout area. When changing staple length or loading staples at the beginning of the work day, you should inspect the magazine and nose for any fasteners left in the tool.

# TOOL OPERATION

## Successive (Bounce) Driving (Orange Trigger)

Grasp the handle firmly.

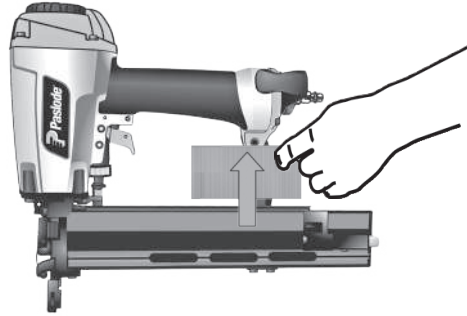
Squeeze the trigger and move the tool along the workpiece with a bouncing motion, depressing the work contacting element at the points where you want to drive a fastener.

Keep the trigger depressed and continue to bounce the work contacting element against the workpiece, positioning the tool above as carefully as possible.

When the desired number of fasteners have been driven, release the tool trigger to avoid unintentional fastener discharge.

## Unload Staples:

To unload staples, simply pull the follower to the rear of the magazine to it's locked position., the magazine cover will open automatically. Slide the staples to the rear of the magazine and lift the staple strip from the rail.



**WARNING**



**Do not clamp or hold trigger with anything other than your hand.**

# MAINTENANCE

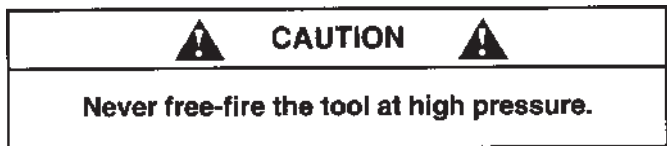
Paslode® tools are built for ease of maintenance. A few simple details will assure trouble-free operation and long tool life. Anyone who uses or maintains the tool must read the safety and maintenance instructions. Study the schematic drawing before starting any repairs on the tool.

Air-operated tools must be inspected periodically, and worn or broken parts must be replaced to keep the tool operating safely and efficiently. Also the items on the maintenance chart must be checked often.

## Cold Weather Care

When temperatures are below freezing, tools should be kept warm by any convenient, safe method. If this is not possible, the following procedure should be used to warm up the tools.

- Reduce the regulated air pressure to 30 psi.
- Remove all fasteners from the tool.
- Connect an air line and blank fire the tool. The reduced air pressure will be enough to free-fire the tool. Slow speed operation tends to warm up the moving parts. Slowing up the piston helps the bumper and the O-rings to become springy.



- Once the tool is warmed up, readjust the regulator to the proper working pressure and reload the tool.
- Open the drain on the air compressor tank to drain any moisture at least daily in extremely cold or humid weather. A few ounces of anti-freeze in the tank will keep the air free of frost.



## Testing the Tool After Servicing

After replacing any part or parts, it is important to check the tool for proper operation. This ensures that the tool was put together correctly, is safe to use, and will perform the job properly.

- Ensure that all hardware is tight.
- Ensure that the work contacting element is installed correctly in relation to the trigger, and that both parts move freely.
- Ensure that the magazine is properly attached.
- Ensure that the required safety information on the tool is legible.
- Use only Paslode approved fasteners in the tool, and ensure that they are correct for the application.
- Ensure that a male air fitting is securely connected to the tool.
- Test the tool by driving fasteners into a workpiece identical to the tool's application.
- Check the tool for air leaks during testing and for the proper sequence of operation.
- Ensure that all fasteners are driven to the same depth and that the crown of the fastener is flush with the workpiece.

Most minor problems can be resolved quickly and easily using the maintenance table that follows. If problems persist, contact your Paslode dealer for assistance.

# MAINTENANCE

 <b>CAUTION</b> 
<b>Disconnect the tool when performing repairs or clearing jams.</b>

ACTION	WHY	HOW
Drain air line filter (daily).	Prevent accumulation of moisture and dirt.	Open manual petcock (most air supply systems have such a valve).
Clean filter element, then blow air through filter in direction opposite to normal flow.	Prevent clogging of filter with dirt.	Wash with soap and water or follow manufacturers instructions.
Check that all screws on tool are tight.	Prevent air leakage and promote efficient operation.	Check screws daily.
Keep work contacting element working properly.	Promote operator safety and efficient tool operation.	Blow clean daily.
Keep magazine and feeder mechanism clean.	Prevent jamming of fasteners.	Blow clean daily.
Use only Paslode replacement parts.	Keep tool operating efficiently and maintain Paslode tool warranty.	Order any replacement parts needed from Paslode Dealer.



# OPERATOR TROUBLESHOOTING



**CAUTION**



Disconnect the tool when performing repairs or clearing jams.

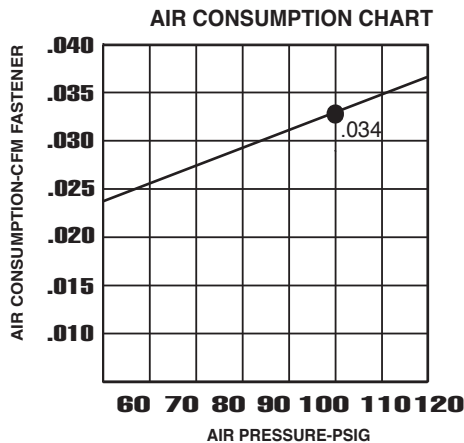
PROBLEM	CORRECTIVE ACTION
Fasteners will not drive completely into wood.	<p>Adjust the depth of drive adjustment (retract length).</p> <p>Increase air pressure (do not exceed 120 psi).</p>
Fasteners penetrate properly during normal operation, but won't drive fully at faster speeds.	<p>Increase air flow to tool — use larger air lines (3/8 inch ID minimum).</p>
Fasteners drive too deeply into wood.	<p>Adjust the depth of drive adjustment (extend length).</p> <p>Reduce air pressure.</p>
Fastener jams in nose of tool.	<p>Open front guide latch, release jammed fastener, and close latch securely.</p>
Tool skips during operation - no fasteners are driven from time to time.	<p>Check magazine for proper fasteners. Magazine follower should slide freely. Clean as needed to remove debris.</p> <p>Make sure correct fasteners are being used. Use fasteners that meet Paslode® specifications only.</p> <p>Increase air flow to tool -- use larger air lines (3/8 ID minimum).</p> <p>Adjust work contacting element where available.</p>
Tool operates, but no fasteners are driven.	<p>Check magazine for proper fasteners. Fasteners should slide freely with no follower pressure.</p> <p>Open front guide latch and check for jams or debris in the nose area. Clear as necessary</p> <p>Increase air pressure (do not exceed 120psi).</p>
Air leaks at cap when tool is connected to air.	<p>Tighten cap screws.</p>

# PARTS LEGEND WCS200 STANDARD 15/16" CROWN STAPLER Part #515800

1	502996	1	UM Hd. Bolt	42	502986	1	Trigger Assembly
2	502997	1	Flat Washer	*43	515735	1	Bumper
3	502969	1	Exhaust Cover	44	515739	1	Washer
4	511065	2	Wave Washers	*45	503240	1	O-Ring
5	515741	4	Hex. Soc. Hd. Bolt	46	515751	1	Bottom Assembly
6	515701	1	Cap Assembly	47	515717	1	Stopper
7	502236	1	Spacer	48	515718	1	Rolled Pin
8	502971	1	Piston Stopper	49	515719	6	Hex. Soc. HD Bolt
9	502972	1	Compression Spring	50	515744	1	Spring Assembly
*10	503021	1	O-Ring	51	515720	1	Latch
11	515402	1	Piston Head Valve	52	511754	1	Rolled Pin
*12	503252	1	O-Ring	53	515722	1	Driver Guide Cover
*13	503218	2	O-Ring	54	515746	1	Rolled Pin
14	502974	1	Collar	55	515723	1	Set Plate
15	502975	1	Cylinder Cap Seal	56	515724	1	Rolled Pin
*16	503219	1	O-Ring	57	515725	1	Nose
17	515702	1	Driver Assembly	58	515760	1	Hex. Soc. HD Bolt+SW
18	515703	1	Cylinder Assembly	59	515712	1	Magazine Assembly
*19	503220	1	O-Ring	60	515726	1	Rolled Pin
*20	503246	1	O-Ring	61	515727	1	Rolled Pin
21	515715	1	Cylinder Ring	62	515728	1	Front Cover
*22	515713	1	O-Ring	63	515729	1	Back Cover Assembly
23	502980	2	Step Pin	64	503238	1	Hex. Soc. HD Bolt
24	515407	1	Body/ w Thead Insert	65	503205	1	Rolled Pin
*25	503222	2	O-Ring	66	515755	1	Position Bushing
26	503224	1	Rolled Pin	67	515730	1	Pusher Assembly
27	503223	1	Rolled Pin	68	515757	1	Stopper
28	515704	1	Paslode Logo Lbl	69	515758	1	Spring
29	515705	1	Paslode Logo Lbl	70	515732	1	Constant Force Spring
30	502981	1	Gasket	71	615759	1	Roller
31	515706	1	End Cap	72	515731	1	Rolled Pin
32	515714	1	Hex Soc. HD Bolt	73	515756	1	Shaft
*33	502998	4	Hex Soc. HD Bolt	*74	515434	1	PU Ring
34	515716	2	Seal	75	515761	1	Lock Nut
35	515736	1	Belt Hook	78	515733	1	Bracket
36	515737	1	Belt Hook Bracket	79	515740	2	Hex. Soc. HD Bolt Lock
37	511762	1	Air Plug	**81	515753	1	Warning Label
38	515707	1	Depth of Drive Assy.	82	515752	1	Magazine Label
39	515750	1	Safety Assembly				
40	515709	1	Bump Fire Trigger Kit				
41	515738	1	Spring				

\* Denotes Normal Wear Items

\*\* Make sure Warning Label (515553) is properly affixed  
Replace if necessary.



## SAFETY INSTRUCTIONS

### WEAR EYE AND HEARING PROTECTION

Always wear hearing protection and eye protection devices, including side shields when operating or working in the vicinity of a tool.



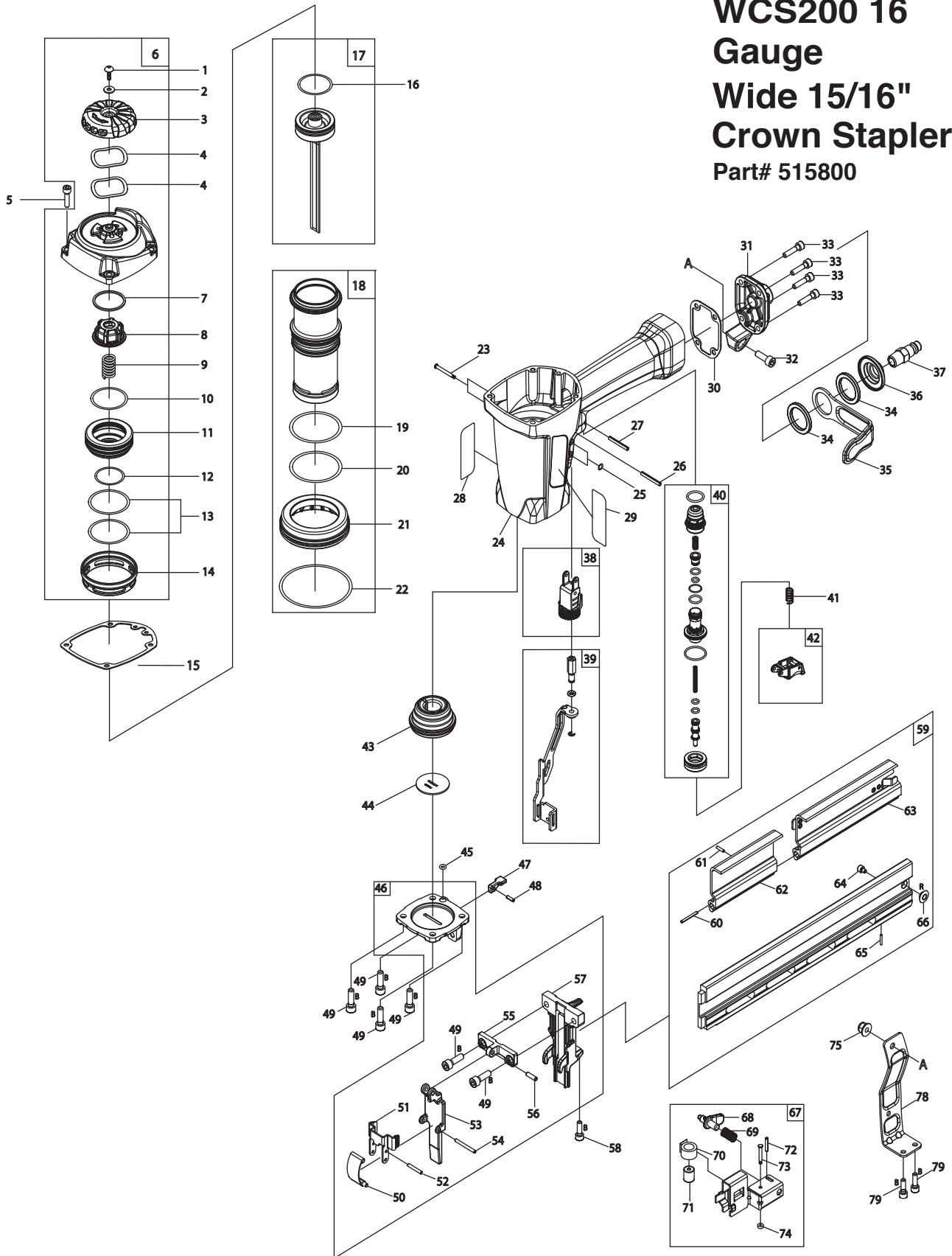
### DO NOT EXCEED MAXIMUM RECOMMENDED AIR PRESSURE

Operate the tool using only the recommended air pressure. Do not exceed the maximum air pressure marked on the tool. Be sure the air pressure gauge is operating properly and check it at least twice a day.



Never use any bottled air or gases such as oxygen to operate the tool since they could cause the tool to explode.

**MODEL  
WCS200 16  
Gauge  
Wide 15/16"  
Crown Stapler  
Part# 515800**



# ACCESSORIES

---

## Safety Glasses

Clear



Part No. 401382

---



An Illinois Tool Works Company  
155 Harlem Avenue  
Glenview, IL 60025

## MODELO WCS200 Grapadora de Corona Ancha de 15/16"



**¡IMPORTANTE!  
NO DESTRUYE ESTE MANUAL**

El cliente tiene la responsabilidad de que todo el personal de operaciones y servicio lea y entienda este manual.

## Manual de Funcionamiento y Esquema

# INTRODUCCIÓN

La herramienta Paslode® WCS200 es una herramienta de calidad, diseñada para uso en aplicaciones residenciales. Esta herramienta le proveerá confiabilidad y eficiencia cuando sea usada acorde con las reglas del fabricante. Lea cuidadosamente este manual y las instrucciones de seguridad para comprender como usarle herramienta correctamente.

## CONTENIDO

ESPECIFICACIONES DE LA HERRAMIENTA Y SUS SUJETADORES.....	3
INSTRUCCIONES DE SEGURIDAD.....	4
INSTALACIÓN Y OPERACIÓN DE LA HERRAMIENTA.....	5
VISTA EXPANDIDA CON LISTADO DE PIEZAS.....	10-11
ACCESORIOS.....	12

### TERMINOS DE LA GARANTIA

Paslode garantiza que sus herramientas mecánicas, sus piezas y accesorios, que hayan sido comprados nuevos, están libres de defectos de material y fabricación por el período indicado más abajo, a partir de la fecha de compra del comprador original.

#### GARANTÍA DE UN AÑO

La garantía de un año cubre todas las piezas, con excepción de aquellas cubiertas por la extensión de garantía.

#### GARANTÍA LIMITADA ADICIONAL DE CINCO AÑOS

La garantía de cinco años cubre todos los armazones y ensamblajes de las tapas.

#### DECLARACIÓN DE LA GARANTÍA

Esta garantía esta limitada a las herramientas vendidas y revisadas en los Estados Unidos. Para obtener más información sobre el servicio de garantía en los Estados Unidos, véa la lista de Centros de Servicio que fue proporcionada con su herramienta.

Paslode asume únicamente la responsabilidad de reponer cualquier pieza o accesorio que se compruebe como defectuoso dentro del período especificado. Cualquier pieza o accesorio de repuesto, entregado de conformidad con esta garantía, gozará de la garantía por el período restante de la garantía que cubría a la pieza o al accesorio originales. Esta garantía no cubre las piezas que necesitan ser repuestas como consecuencia de su desgaste normal.

Se cancelará esta garantía a cualquier herramienta que haya sido usada incorrectamente, dañada accidental o intencionalmente, usada con sujetadores que no reúnan las especificaciones, el tamaño o la calidad de Paslode, o a la que no se le haya dado el mantenimiento o el uso adecuado, o que haya sido reparada con piezas que no sean marca Paslode, o que en opinión de Paslode hayan sido modificadas o reparadas de manera que afecte o sea contraria al funcionamiento de la herramienta.

PASLODE NO OTORGA NINGUNA GARANTÍA EXPLÍCITA O IMPLÍCITA CON RESPECTO A LA COMERCIALIZACIÓN O ADAPTACIÓN AL USO PREVISTO, O DE CUALQUIER OTRA NATURALEZA, CON EXCEPCIÓN DE LO DECLARADO ANTERIORMENTE, y la responsabilidad de Paslode TAL COMO SE INDICA Y SE ASUME MÁS ARRIBA reemplaza a todas las otras garantías que resulten o estén relacionadas con el uso y funcionamiento de la herramienta, excepto según lo estipulen las leyes pertinentes. PASLODE NO SERÁ RESPONSABLE EN NINGÚN CASO POR NINGÚN DAÑO DIRECTO, INDIRECTO O CONSECUENTE INCLUYENDO, PERO SIN LIMITARSE, CUALQUIER DAÑO RESULTADO DE LA PÉRDIDA DE PRODUCCIÓN O GANANCIAS ANTICIPADAS, EL DETERIORO DE MATERIALES, AUMENTOS EN EL COSTO DE OPERACIÓN O CUALQUIER OTRO.

Paslode se reserva el derecho de cambiar las especificaciones, el equipo o los diseños en cualquier momento, sin aviso previo y sin incurrir en obligación alguna.

## ESPECIFICACIONES DE LA HERRAMIENTA Y LOS SUJETADORES

### ESPECIFICACIONES DE LA HERRAMIENTA

NO. de MODELO	WCS200 (Pieza# 515800)
ALTURA	297.2mm
ANCHO	86.2mm
LONGITUD	383.5mm
PESO	2.7kg
PRESIÓN de OPERACIÓN	80 hasta 120 p.s.i. (5,5 hasta 8,3 bar)

### ESPECIFICACIONES de los SUJE TADORES

LONGITUD DE GRAPADO	19.4mm-50.8mm
DIAMETRO DEL TALLO	16 Calibre

#### ACOPLAMIENTO DE AIRE:

Esta herramienta utiliza un tapón macho de 1/4" N.P.T. El acoplamiento debe ser capaz de descargar la presión de aire en la herramienta cuando sea desconectada del suministro de aire.

#### OPERACION de PRESIÓN de AIRE:

80 hasta 120 p.s.i. Seleccione una presión de aire dentro de esta gama para obtener el mejor rendimiento.

**NO EXCEDA LA PRESIÓN DE AIRE RECOMENDADA.**

# INSTRUCCIONES DE SEGURIDAD

## LA SEGURIDAD ESTA PRIMERO

Estas instrucciones proporcionan la información necesaria para el funcionamiento sin peligro de las herramientas Paslode. **NO trate de usar su herramienta hasta que no la haya leído y entendido todas las precauciones de seguridad y las instrucciones de este manual.**



### PROTEJASE LOS OJOS Y LOS OÍDOS

Use siempre el equipo adecuado para protegerse los ojos y los oídos que sea conforme con ANZI Z87+, mientras usa una herramienta o trabaja cerca de una herramienta en uso. Como empleador usted es responsable de imponer el uso del la protección de ojo. Lleve sombreros duros en los ambientes que requieren su uso.

### USE SU HERRAMIENTA SOLAMENTE PARA EL PROPOSITO CON QUE FUE DISEÑADA

No arroje la herramienta al suelo; no golpee el armazón ni la use como un martillo.

### NUNCA USE LA HERRAMIENTA PARA JUGUETEAR

Esta herramienta no es un juguete; por lo tanto no la trate como tal. Nunca juegue con ella, ni se apunte a usted mismo ni a otra persona, aun cuando crea que no está cargada.

### NUNCA ASUMAQUE LA HERRAMIENTA ESTA VACIA

Verifique que no haya sujetadores en el cargador. Aun cuando crea que está vacía o desconectada, nunca se apunte ni apunte a otra persona con la herramienta, porque podría dispararse un sujetador que no esté a la vista.

### NUNCA SUJETE EL GATILLO EN LA POSICION DE CIERRE O DE FUNCIONAMIENTO

Nunca se debe manipular indebidamente o dejar inoperante el gatillo, o sujetarlo en la posición de cierre o de funcionamiento, porque se podría disparar un sujetador al oprimirse el elemento de contacto.

### NO CARGUE SUJETADORES CUANDO LA LINEA DE AIRE COMPRIMIDO ESTE CONECTADA, O CUANDO EL GATILLO O EL ELEMENTO DE CONTACTO ESTE OPRIMIDO.

Antes de cargar sujetadores en la herramienta, verifique que la línea de aire comprimido esté desconectada y que ni el gatillo ni el elemento de contacto estén oprimidos.



### USE LA HERRAMIENTA SOLAMENTE SOBRE UN MATERIAL DE TRABAJO

La herramienta debe funcionar sólo cuando esté en contacto con el material de trabajo. Debe tener mucho cuidado cuando el material sea delgado o trabaje cerca de las aristas del mismo, porque los sujetadores podrían atravesar o salirse del material.

### NO DEJE INOPERANTE NI quite EL ELEMENTO DE CONTACTO

Esta herramienta está equipada con un mecanismo de seguridad, llamado elemento de contacto, para prevenir cualquier disparo accidental. Nunca manipule indebidamente, deje inoperante, ni quite el elemento de contacto. No use la herramienta a menos que dicho elemento funcione correctamente, porque podría producirse un disparo imprevisto.

## DESCONECTE LA HERRAMIENTA CUANDO NO LA ESTE USANDO

Siempre desconecte la herramienta de la línea de aire comprimido cuando no la esté usando o al dejar su lugar de trabajo. Nunca la descuide, porque cualquier persona que no esté familiarizada con ella podría lastimarse o lastimar a otros.



### TOME LA HERRAMIENTA SOLAMENTE POR EL MANGO

Siempre tome la herramienta sólo por el mango. Nunca la tome por la manguera o con el gatillo oprimido, porque se podría disparar un sujetador y herirlo o herir a otra persona.

### NO ALTERE EL ARMAZON DE LA HERRAMIENTA

El armazón de la herramienta es un recipiente a presión y nunca se debe grabar en su superficie el nombre de su compañía, el del área de trabajo, ni ningún otro detalle.

### DESCONECTE LA HERRAMIENTA PARA HACER REPARACIONES O ELIMINAR OBSTRUCCIONES

Nunca trate de eliminar obstrucciones o reparar una herramienta sin haberla desconectado de la línea de aire comprimido y quitado todos los sujetadores.

### USE SIEMPRE LOS ADAPTADORES APROPIADOS PARA SU HERRAMIENTA

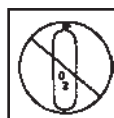
Se debe conectar a la herramienta solamente conectores neumáticos MACHOS, para permitir que el aire de alta presión salga tan pronto como se desconecte la línea de aire comprimido.

NUNCA coloque enlaces HEMBRAS de desconexión rápida en la herramienta, porque atrapan el aire a alta presión al desconectar la línea de aire comprimido, dejándola cargada y lista para disparar por lo menos un sujetador.



### NO EXCEDA LA PRESION NEUMATICA MAXIMA RECOMENDADA

La herramienta debe funcionar sólo con la presión neumática recomendada. No exceda la presión neumática máxima marcada en la herramienta. Verifique por lo menos dos veces al día que el calibre de la presión neumática funcione correctamente.



Nunca use aire o gases envasado, como el oxígeno, para hacer funcionar la herramienta porque podrían hacer que explotara. No haga funcionar en atmósferas explosivas.

### INSPECCIONE LA HERRAMIENTA PARA LA OPERACION APROPIADA

### USE SOLAMENTE PIEZAS Y SUJETADORES RECOMENDADOS POR PASLODE

Use sólo piezas y sujetadores específicamente diseñados y recomendados por Paslode para usar con esa herramienta y para la tarea requerida. Si se usan piezas o sujetadores no autorizados o se modifica de alguna forma la herramienta, se pueden crear situaciones peligrosas. Vuelva a colocar todas las etiquetas de precaución que flaten. Consulte el diagrama de la herramienta sobre el número de cada parte y su ubicación correcta.

## PELIGRO

La falta de observación de cualquiera de estas instrucciones puede ser causa de graves lesiones personales, tanto al operador de la herramienta como a quienes estén cerca de ella o de daños materiales o a la herramienta.

Comuníquese con el representante de Paslode sobre la presentación de Programa de Alerta sobre Seguridad.



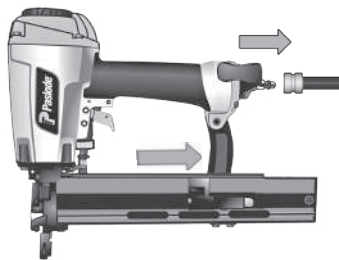
# FUNCIONAMIENTO DE LA HERRAMIENTA

## Sujetadores

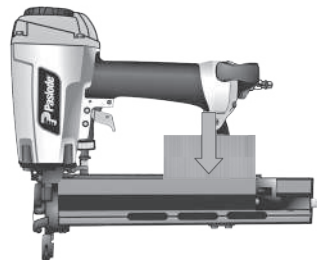
La grapadora de corona estándar Paslode® SCS200 maneja las grapas de calibre 16 Paslode® diseñadas para ser utilizadas con la herramienta. El uso de sujetadores que no cumplen con los estándares de Paslode podría causar daños a la herramienta y anulará todos los reclamos de garantía.

## Cargando Sujetadores

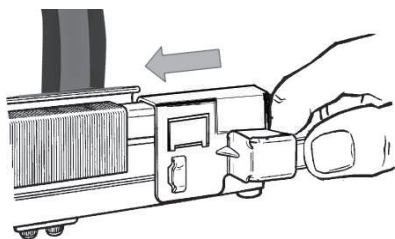
**Paso 1:** Alinee las cabezas de los clavos de acabado Paslode con el canal de clavitos plateado en la parte posterior del cargador e introduzca una o dos tiras. Empuje las tiras de clavos hacia adelante.



**Paso 2:** Tire del seguidor hacia la parte posterior del cargador hasta que el seguidor haya pasado la última tira de clavos. Suelte la palanca del seguidor y deje que el mismo mueva los clavos hacia adelante dentro de la boca de la herramienta.



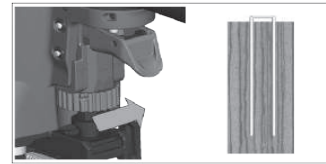
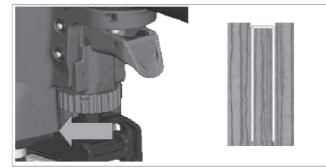
**Paso 3:** Cuando la flecha aparezca en el área de recarga, marcada en el lado del cargador, usted puede introducir una nueva tira de clavos. Cuando la flecha del seguidor alcance el área de bloqueo, la herramienta se bloquea automáticamente para evitar su funcionamiento. Para desenganchar la herramienta, recargue simplemente otra tira de clavos.



## Ajuste de profundidad de Drive

Desconectar el suministro de aire.

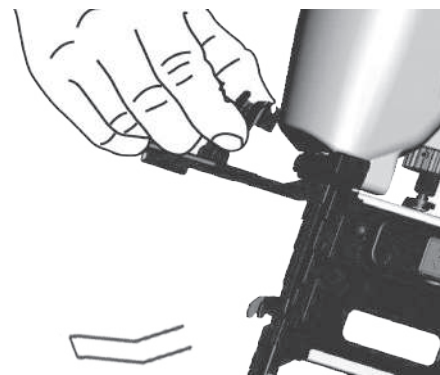
La profundidad de ajuste de accionamiento se hace girando la rueda de ajuste situado debajo del gatillo.



## Para desatorar la clavadora

Un problema típico que puede encontrar es una clavadora con clavos atorados. Debido al diseño único de la clavadora Paslode, es muy sencillo sacar los clavos atorados:

1. Desconecte el aire.
2. Deslice el seguro para soltar la guía delantera y hágala pivotar hacia adelante.
3. Quite los clavos atorados y empuje la hoja del impulsador hacia atrás hasta la posición normal de retorno.
4. Cierre la guía delantera y asegúrela. Verifique que el elemento de contacto no esté obstruido.



## Característica de bloqueo del proceso

El propósito de esta característica es evitar ciclos en blanco innecesarios, lo que podría dañar las maderas y dañar los componentes de la herramienta. Se colocarán 10 clavos en el cargador cuando el seguidor alcance el área de bloqueo. Cuando cambie la longitud o la carga del sujetador al principio del día de trabajo, debe inspeccionar el cargador y la nariz para los sujetadores que queden en el visible a menos que abra la nariz de la herramienta.

# OPERACIÓN DE LA HERRAMIENTA

## Grapado sucesivo (percusión) (gatillo anaranjado)

Agarre la manija firmemente.

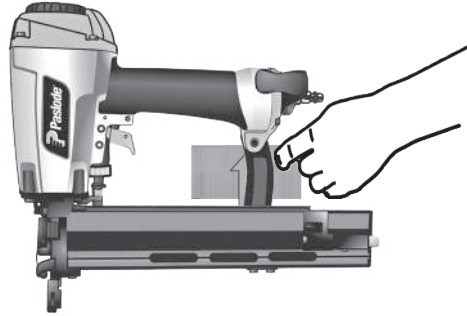
Apriete el gatillo y mueva la herramienta por la pieza de trabajo presionando el elemento de contacto en los puntos donde desea introducir la sujeción.

Mantenga el gatillo apretado y continúe presionando el elemento de contacto contra la pieza de trabajo posicionando la herramienta encima con el mayor cuidado posible.

Una vez introducida la cantidad de sujeciones deseada, suelte el gatillo de la herramienta para evitar el disparo involuntario de grapas.

## Descarga de grapas::

Para descargar las grapas, simplemente tire del seguidor hacia la parte posterior del cargador hasta que se trabe. La tapa del cargador se abrirá automáticamente. Deslice las grapas hacia la parte posterior del cargador y levante la tira de grapas de la guía.



**ADVERTENCIA**

**No sujete ni apriete el gatillo con ninguna otra cosa que no sea su mano.**

# MANTENIMIENTO

El mantenimiento de cualquier herramienta Paslode® es simple. Su funcionamiento sin problemas y la prolongación de la vida de la herramienta se logran siguiendo un sencillo procedimiento. Las personas encargadas de usar y mantener la herramienta deben leer las instrucciones de seguridad y mantenimiento. Estudie los diagramas antes de hacer cualquier reparación.

Las herramientas neumáticas deben revisarse periódicamente, y se deben cambiar las piezas gastadas o deterioradas para que la herramienta siga funcionando con eficiencia y sin peligro. Además, se debe revisar la tabla de mantenimiento frecuentemente.

## Cuando Hace Mucho Frio

Cuando la temperatura es inferior a la de congelamiento, las herramientas deben mantenerse a la temperatura ambiente por el método más seguro y conveniente. De lo contrario, aconsejamos seguir el siguiente procedimiento para calentar las piezas de la herramienta.

- Disminuya la presión regulada del aire a 30 psi.
- Quite todos los sujetadores de la herramienta.
- Conecte una línea de aire y dispare la herramienta sin clavos. La presión reducida del aire será suficiente para lograrlo. El funcionamiento a poca velocidad tiene la tendencia de calentar las partes móviles. Disminuyendo la velocidad del pistón le da cierta elasticidad al amortiguador y los anillos-o.



## PRECAUCIÓN

**Nunca dispare la herramienta sin clavos a alta presión.**

- Una vez que la herramienta se haya calentado, ajuste nuevamente el regulador a la presión apropiada para trabajar y cargue de nuevo la herramienta.
- Abra, por lo menos diariamente, el drenaje del tanque del compresor del aire para eliminar cualquier humedad, cuando haga mucho frío o el grado de humedad sea muy alto. Poniendo una pequeña cantidad de descongelante en el tanque evitará que la humedad se congele.

## Probar la Herramienta Después de Darle Servicio

Después de reemplazar una o más piezas, es importante comprobar si la herramienta funciona como es debido. Esto asegura que todas las piezas estén puestas correctamente, que la herramienta esté segura y que funcione correctamente.

- Verifique que ninguna pieza esté floja.
- Compruebe que el elemento de contacto haya sido correctamente instalado en relación con el gatillo y que ambas piezas se muevan libremente.
- Verifique que el cargador esté colocado correctamente.
- Verifique que la información sobre seguridad, que está en la herramienta, sea legible.
- Use solamente sujetadores aprobados por Paslode® y compruebe que sean los apropiados para su aplicación.
- Verifique que se haya conectado firmemente un adaptador macho a la herramienta.
- Pruebe la herramienta impulsando sujetadores en un material de trabajo idéntico al de la aplicación.
- Verifique que no haya pérdidas de aire en la herramienta durante las pruebas y revise la secuencia apropiada de funcionamiento.
- Asegure que todos los sujetadores sean impulsados a la misma profundidad y que la cabeza del sujetador esté al ras con el material de trabajo.

Usando la siguiente tabla de mantenimiento es posible resolver rápidamente y fácilmente la mayoría de los pequeños problemas. Si un determinado problema persiste, comuníquese con el representante de Paslode®.

## MANTENIMIENTO (continuación)



**Desconecte la herramienta al hacer cualquier reparación o eliminar cualquier obstrucción.**

### TABLA DE MANTENIMIENTO

<b>ACTIVIDAD</b>	<b>POR QUE</b>	<b>COMO</b>
Drene el filtro de la línea de aire a diario.	Para evitar que se acumulen la humedad y la suciedad.	Abra la llave de escape. (La mayoría de los sistemas neumáticos la tienen.)
Limpie el elemento del filtro; luego, sople aire a través del filtro en la dirección opuesta a la corriente normal.	Para evitar que la suciedad obstruya el filtro.	Lave con agua y jabón, o siga las instrucciones del fabricante.
Verifique que todos los tornillos de la herramienta estén apretados.	Para evitar pérdidas de aire y asegurar el buen funcionamiento de la herramienta.	Revise los tornillos a diario.
Revise si el elemento de contacto funciona correctamente.	Para promover la seguridad del operador y el buen funcionamiento de la herramienta.	Límpielo con aire a diario.
Mantenga limpios los mecanismos del cargador y del alimentador.	Para prevenir que se obstruyan los sujetadores.	Límpielos con aire a diario.
Use solamente piezas de repuesto Paslode.	Para que la herramienta continúe funcionando eficientemente y mantener vigente la garantía de Paslode.	Solicite al representante de Paslode cualquier pieza de repuesto que necesite.

# GUÍA PARA SOLUCIONAR PROBLEMAS



**PRECAUCIÓN**

Desconecte la herramienta al repararla o desatascarla.

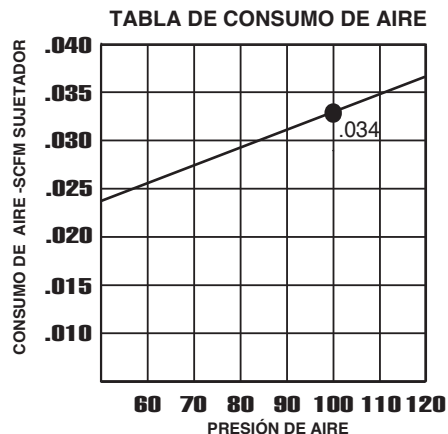
PROBLEMA	CORRECCIÓN
Las sujeciones no entran por completo en la madera.	<p>Ajuste la profundidad de penetración (retraiga la longitud).</p> <p>Aumente la presión del aire (sin exceder los 120 psi).</p>
Las sujeciones entran bien durante la operación normal, pero no entran por completo cuando aumento la velocidad.	<p>Aumente el caudal de aire a la herramienta –use líneas de aire más grandes (con un DI de 3/8" como mínimo)</p>
Las sujeciones penetran demasiado profundo en la madera.	<p>Ajuste la profundidad de penetración (extienda la longitud)</p> <p>Reduzca la presión del aire.</p>
La sujeción se atasca en la punta de la herramienta.	<p>Abra la traba de la guía frontal, libere la sujeción atascada y cierre bien la traba.</p>
La herramienta salta durante la operación – a veces no salen las sujeciones.	<p>Verifique que el cargador tenga las sujeciones correctas. El seguidor del cargador debe deslizarse libremente. Límpielo si está sucio.</p> <p>Asegúrese de usar las sujeciones correctas. Use solo sujeciones que cumplan con las especificaciones de Paslode®.</p> <p>Aumente el caudal de aire a la herramienta – use líneas de aire más grandes (con un DI de 3/8" como mínimo).</p> <p>Ajuste el elemento de contacto, si puede.</p>
La herramienta funciona pero no salen las sujeciones.	<p>Verifique que el cargador tenga las sujeciones correctas. Las sujeciones deben deslizarse libremente sin presión del seguidor.</p> <p>Abra la traba de la guía frontal y verifique que no haya sujeciones atascadas ni suciedad en la punta. Despeje cualquier obstrucción.</p> <p>Aumente la presión del aire (sin exceder los 120 psi).</p>
Pierde aire por la tapa cuando la herramienta está conectada al aire.	<p>Ajuste los tornillos allen.</p>

# Lista de piezas SCS200 Grapadora de Corona Estándar de 1/2" Part #515700

1	502996	1	UM Hd. Bolt	42	502986	1	Trigger Assembly
2	502997	1	Flat Washer	*43	515735	1	Bumper
3	502969	1	Exhaust Cover	44	515739	1	Washer
4	511065	2	Wave Washers	*45	503240	1	O-Ring
5	515741	4	Hex. Soc. Hd. Bolt	46	515751	1	Bottom Assembly
6	515701	1	Cap Assembly	47	515717	1	Stopper
7	502236	1	Spacer	48	515718	1	Rolled Pin
8	502971	1	Piston Stopper	49	515719	6	Hex. Soc. HD Bolt
9	502972	1	Compression Spring	50	515744	1	Spring Assembly
*10	503021	1	O-Ring	51	515720	1	Latch
11	515402	1	Piston Head Valve	52	511754	1	Rolled Pin
*12	503252	1	O-Ring	53	515722	1	Driver Guide Cover
*13	503218	2	O-Ring	54	515746	1	Rolled Pin
14	502974	1	Collar	55	515723	1	Set Plate
15	502975	1	Cylinder Cap Seal	56	515724	1	Rolled Pin
*16	503219	1	O-Ring	57	515725	1	Nose
17	515702	1	Driver Assembly	58	515760	1	Hex. Soc. HD Bolt+SW
18	515703	1	Cylinder Assembly	59	515712	1	Magazine Assembly
*19	503220	1	O-Ring	60	515726	1	Rolled Pin
*20	503246	1	O-Ring	61	515727	1	Rolled Pin
21	515715	1	Cylinder Ring	62	515728	1	Front Cover
*22	515713	1	O-Ring	63	515729	1	Back Cover Assembly
23	502980	2	Step Pin	64	503238	1	Hex. Soc. HD Bolt
24	515407	1	Body/ w Thead Insert	65	503205	1	Rolled Pin
*25	503222	2	O-Ring	66	515755	1	Position Bushing
26	503224	1	Rolled Pin	67	515730	1	Pusher Assembly
27	503223	1	Rolled Pin	68	515757	1	Stopper
28	515704	1	Paslode Logo Lbl	69	515758	1	Spring
29	515705	1	Paslode Logo Lbl	70	515732	1	Constant Force Spring
30	502981	1	Gasket	71	615759	1	Roller
31	515706	1	End Cap	72	515731	1	Rolled Pin
32	515714	1	Hex Soc. HD Bolt	73	515756	1	Shaft
*33	502998	4	Hex Soc. HD Bolt	*74	515434	1	PU Ring
34	515716	2	Seal	75	515761	1	Lock Nut
35	515736	1	Belt Hook	78	515733	1	Bracket
36	515737	1	Belt Hook Bracket	79	515740	2	Hex. Soc. HD Bolt Lock
37	511762	1	Air Plug	**81	515753	1	Warning Label
38	515707	1	Depth of Drive Assy.	82	515752	1	Magazine Label
39	515750	1	Safety Assembly				
40	515709	1	Bump Fire Trigger Kit				
41	515738	1	Spring				

\* Indica piezas de desgaste normal.

\*\* Asegure que la Etiqueta de Advertencia (515553) este bien pegada. Reemplaze si es necesario.



## INSTRUCCIONES DE SEGURIDAD



### USE PROTECCIÓN PARA OJOS Y OÍDOS

Siempre use protección para oídos y equipo de seguridad para los ojos, incluyendo protectores laterales cuando este manejando o trabajando en los alrededores de una herramienta.



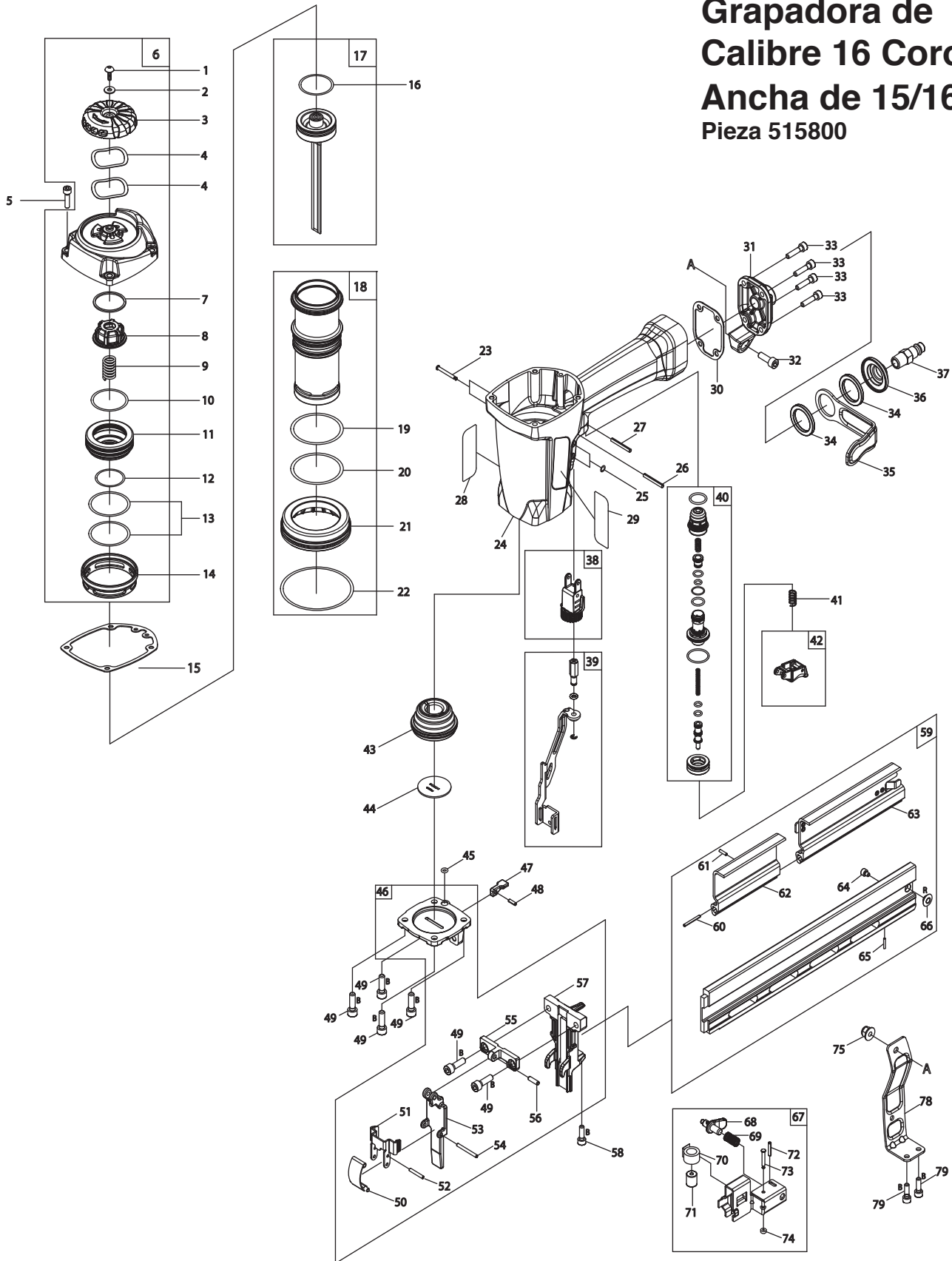
### NO SOBREPASE LA MÁXIMA PRECIÓN DE AIRE RECOMENDADA

Solo opere la herramienta usando la presión de aire recomendada. No sobre pase la máxima presión de aire marcada sobre la herramienta. Asegure que el indicador de presión de aire este trabajando bien y reviselo por lo menos dos veces al día.



Nunca use algún aire o gas embotellado tal como el oxígeno para funcionar la herramienta ya que pueden causar que la herramienta explote.

**MODELO WCS200**  
**Grapadora de**  
**Calibre 16 Corona**  
**Ancha de 15/16"**  
**Pieza 515800**



# ACCESORIOS

---

**Lentes de Seguridad**  
Claros



Pieza No. 401382

---





# ACCESSOIRES

Lunettes de sécurité  
Transparentes

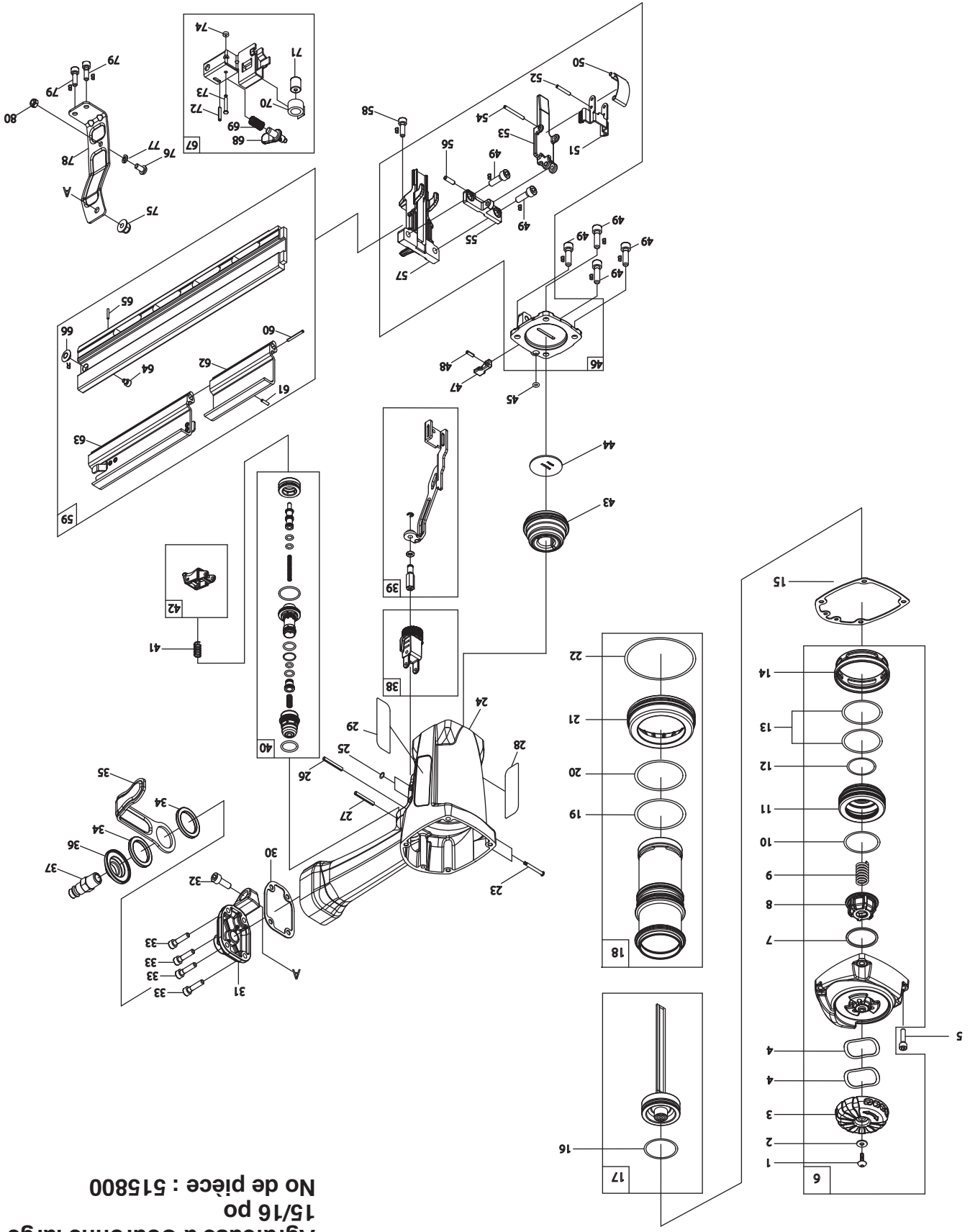


No de pièce : 401382



An Illinois Tool Works Company  
155 Harlem Avenue  
Glenview, IL 60025

**MODELE WCS200**  
**Agrafe a Couronne large**  
**15/16 po**  
**No de pièce : 515800**



1	502996	1	Boulon à tête UM
2	502997	1	Rondelle plate
3	502969	1	Couvercle de sortie d'échappement
4	511065	2	Rondelle ondulée
5	515741	4	Boulon à tête hexagonale
6	515701	1	Capuchon
7	502236	1	Entretoise
8	502971	1	Butée de piston
9	502972	1	Ressort de pression
*10	503021	1	Joint torique
*11	515402	1	Soupape de tête de piston
*12	503252	1	Joint torique
*13	503218	2	Joint torique
14	502974	1	Collet
15	502975	1	Joint du capuchon de cylindre
*16	503219	1	Joint torique
17	515742	1	Dispositif d'entraînement
18	515703	1	Assemblage du cylindre
*19	503220	1	Joint torique
*20	503246	1	Joint torique
21	515715	1	Collet de cylindre
*22	515713	1	Joint torique
23	502980	2	Boulon pylône
24	515407	1	Bâti avec filet rapporté
*25	503222	2	Joint torique
26	503224	1	Goupille cylindrique
27	503223	1	Goupille cylindrique
28	515704	1	Étiquette logo Paslode
29	515705	1	Étiquette logo Paslode
30	502981	1	Joint
31	515706	1	Bouchon
32	515714	1	Boulon à tête hexagonale
*33	502998	1	Boulon à tête hexagonale
34	515716	1	Joint d'étanchéité
35	515736	1	Crochet de ceinture
36	515737	1	Support de crochet de ceinture
37	511762	1	Prise d'air
38	515707	1	Ass. de profondeur d'entraînement
39	515708	1	Assemblage de sécurité
40	515709	1	Ensemble de la gâchette de tir par ratées
41	515738	1	Ressort
42	502986	1	Assemblage de gâchette
*43	515735	1	Butoir
44	515743	1	Rondelle
*45	503240	1	Joint torique
46	515710	1	Assemblage inférieur
47	515717	1	Butée
48	515718	1	Goupille cylindrique
49	515719	6	Boulon à tête hexagonale
50	515711	1	Assemblage de ressort
51	515720	1	Loquet
52	511754	1	Goupille cylindrique
53	515522	1	Couvercle du guide d'entraînement
54	515764	1	Goupille cylindrique
55	515723	1	Plaque de retenue
56	515724	1	Goupille cylindrique
57	515747	1	Nez
58	515760	1	Boulon à tête hexagonale+SW
59	515748	1	Assemblage de magasin
60	515726	1	Goupille cylindrique
61	515727	1	Goupille cylindrique
62	515728	1	Couvercle avant
63	515729	1	Assemblage de couvercle arrière
64	503238	1	Boulon à tête hexagonale
65	503205	1	Goupille cylindrique
66	515755	1	Bague de positionnement
67	515721	1	Assemblage de pousseur
68	515757	1	Butée
69	515758	1	Ressort
70	515732	1	Ressort à force constante
71	615759	1	Galet
72	515731	1	Goupille cylindrique
73	515756	1	Arbre
*74	515434	1	Bague PU
75	515761	1	Contre-écrou
76	515734	1	Boulon à tête UM
77	515763	1	Rondelle à ressort
78	515733	1	Support
79	515740	2	Boulon à tête hexagonale
80	503235	1	Contre-écrou
*81	515753	1	Étiquette de mise en garde
82	515749	1	Étiquette du magasin

### CONSIGNES DE SÉCURITÉ

PORTER UNE PROTECTION POUR LES YEUX ET L'OUÏE



Toujours porter des dispositifs de protection pour les yeux et l'ouïe, y compris des écrans latéraux lors de l'utilisation d'un outil ou lors du travail à proximité d'un outil.

NE PAS DÉPASSER LA PRESSION D'AIR MAXIMALE RECOMMANDÉE

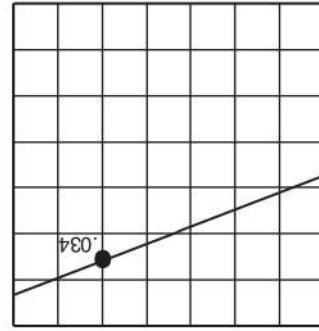
Utiliser l'outil uniquement à la pression d'air recommandée. Ne pas dépasser la pression d'air maximale indiquée sur l'outil. S'assurer que la jauge de pression d'air fonctionne correctement et la vérifier au moins deux fois par jour.



Ne jamais utiliser d'air ou de gaz en bouteille comme de l'oxygène pour faire fonctionner l'outil, car ceux-ci pourraient faire exploser l'outil.

PRESSION D'AIR - PSI  
MANOMÉTRIQUE

60 70 80 90 100 110 120



TABEAU DE LA CONSOMMATION D'AIR

\* Indique des pièces présentant une usure normale  
 \*\* S'assurer que l'étiquette de mise en garde (515553) est correctement apposée. La remplacer si nécessaire.

CONSOMMATION D'AIR - PSI/MIN PAR ATTACHE

MESURE CORRECTIVE	PROBLÈME
<p>Ajuster le réglage de profondeur d'entraînement (diminuer la longueur). Augmenter la pression d'air (ne pas dépasser 120 psi).</p>	<p>Les attaches ne s'enfoncent pas complètement dans le bois.</p>
<p>Augmenter le flux d'air vers l'outil; utiliser des tuyaux d'air plus gros (diamètre intérieur d'au moins 3/8 po).</p>	<p>Les attaches pénètrent correctement lors d'une utilisation normale, mais elles ne s'enfoncent pas complètement à des vitesses plus élevées.</p>
<p>Ajuster le réglage de profondeur d'entraînement (augmenter la longueur). Réduire la pression d'air.</p>	<p>Les attaches s'enfoncent trop profondément dans le bois.</p>
<p>Ouvrir le loquet du guide frontal, retirer l'attache coincée, et refermer le loquet de façon sécuritaire.</p>	<p>Les attaches se coincent dans le nez de l'outil.</p>
<p>Vérifier que le magasin contient des attaches appropriées. Le pourvoyeur du magasin doit glisser librement. Si nécessaire, retirer les débris présents. S'assurer que des attaches appropriées sont utilisées. Utiliser uniquement des attaches qui répondent aux spécifications de Paslode®. Augmenter le flux d'air vers l'outil; utiliser des tuyaux d'air plus gros (diamètre intérieur d'au moins 3/8 po). Ajuster l'élément de contact lorsque cela est possible.</p>	<p>L'outil saute durant l'utilisation; de temps en temps, aucune attache n'est éjectée.</p>
<p>Vérifier que le magasin contient des attaches appropriées. Les attaches doivent glisser librement sans pression du pourvoyeur. Ouvrir le loquet du guide frontal et vérifier la présence de bourrages ou de débris, le cas échéant. Augmenter la pression d'air (ne pas dépasser 120 psi).</p>	<p>L'outil semble fonctionner, mais aucune attache n'est éjectée.</p>
<p>Serrer les vis du capuchon.</p>	<p>Des fuites d'air au capuchon lorsque l'outil est alimenté en air.</p>

**DÉBRANCHER L'OUTIL LORS DES RÉPARATIONS OU DU DÉGAGEMENT DE BOURRAGES.**

**ATTENTION**

# ENTRETIEN

**ATTENTION**

Débrancher l'outil lors des réparations ou du dégagement de bourrages.

COMMENT	POURQUOI	ACTION
Ouvrir le robinet de purge manuelle (la plupart des systèmes d'alimentation en air disposent d'un tel robinet).	Empêcher l'accumulation d'humidité et de poussière.	Drainer le filtre d'alimentation en air (tous les jours).
Laver à l'eau et au savon ou suivre les instructions du fabricant.	Empêcher l'encrassement du filtre par de la poussière.	Nettoyer l'élément du filtre, puis souffler de l'air à travers le filtre dans la direction opposée à celle du flux normal.
Vérifier les vis tous les jours.	Empêcher des fuites d'air et favoriser un fonctionnement efficace.	Vérifier que toutes les vis sur l'outil sont bien serrées.
Nettoyer par soufflage tous les jours.	Favoriser la sécurité de l'utilisateur et un fonctionnement efficace de l'outil.	S'assurer que l'élément de contact fonctionne correctement.
Nettoyer par soufflage tous les jours.	Éviter le bourrage d'attaches.	Garder le magasin et le mécanisme de chargement propres.
Commander toute pièce de rechange auprès d'un détaillant Paslode.	Garder l'outil en bon état de fonctionnement et conserver la garantie de Paslode pour l'outil.	Utiliser uniquement des pièces de rechange Paslode.

Les outils Paslode® sont conçus pour un entretien facile. Quelques détails très simples assureront une utilisation sans problèmes et une longue durée de vie de l'outil. Toute personne utilisant ou assurant l'entretien de l'outil doit lire les consignes de sécurité et d'entretien. Étudier le dessin schématique avant d'entamer toute réparation sur l'outil.

Les outils pneumatiques doivent être inspectés régulièrement, et les pièces usées ou brisées doivent être remplacées pour que l'outil puisse fonctionner de façon sécuritaire et efficace. En outre, les éléments figurant au tableau d'entretien doivent être souvent vérifiés.



## Entretien par temps froid

Lorsque la température est en dessous de zéro, les outils doivent être conservés au chaud par toute méthode pratique et sécuritaire. Si cela n'est pas possible, la procédure suivante doit être utilisée pour réchauffer les outils.

Réduire la pression d'air réglée à 30 psi.

Retirer toutes les attaches de l'outil.

Brancher l'alimentation en air et tirer une fois à blanc. La pression d'air réduite sera suffisante pour tirer à blanc. Une utilisation à vitesse lente a tendance à réchauffer les pièces mobiles. Le ralentissement du piston aide la butée et les joints toriques à retrouver leur souplesse.

 <b>ATTENTION</b> 
<b>Ne jamais tirer à blanc avec l'outil lorsque la pression est élevée.</b>

Lorsque l'outil est réchauffé, réajuster le régulateur à la pression de travail appropriée et recharger l'outil.

Ouvrir le drain sur le réservoir du compresseur d'air afin d'éliminer toute l'humidité au moins une fois par jour dans des conditions extrêmement froides ou humides. Quelques onces d'antigel dans le réservoir permettront de garder l'air exempt de givre.

## Tester l'outil après une réparation

Après le remplacement d'une pièce quelconque, il est important de vérifier le bon fonctionnement de l'outil. Cela assure que l'outil a été remonté correctement, qu'il peut être utilisé de façon sécuritaire et qu'il permettra de faire du bon travail.

S'assurer que toutes les pièces sont bien serrées.

S'assurer que l'élément de contact est correctement installé par rapport à la gâchette, et que les deux pièces bougent librement.

S'assurer que le magasin est correctement fixé.

S'assurer que les renseignements de sécurité requis sur l'outil sont lisibles.

Utiliser uniquement des attaches approuvées par Paslode dans l'outil et s'assurer qu'elles conviennent au travail prévu.

S'assurer qu'un raccord à air mâle est branché sur l'outil de façon sécuritaire.

Tester l'outil en enfonçant des attaches dans une pièce à travailler identique à celle qui est prévue pour le travail.

Vérifier les fuites d'air sur l'outil lors du test et vérifier la séquence d'utilisation appropriée.

S'assurer que toutes les attaches sont enfoncées à la même profondeur et que la couronne de l'attache affleure la pièce à travailler. La plupart des problèmes mineurs peuvent être résolus rapidement et facilement à l'aide du tableau d'entretien ci-après. Si le problème persiste, communiquer avec votre détaillant Paslode pour obtenir de l'aide.

## UTILISATION DE L'OUTIL

### Déclenchement successif (au rebond) avec la gâchette orange

Saisir fermement la poignée.

Appuyer sur la gâchette et déplacer l'outil le long de la pièce à travailler avec un mouvement ponctué de rebonds, enfoncer l'élément de contact aux endroits où une attache doit être placée.

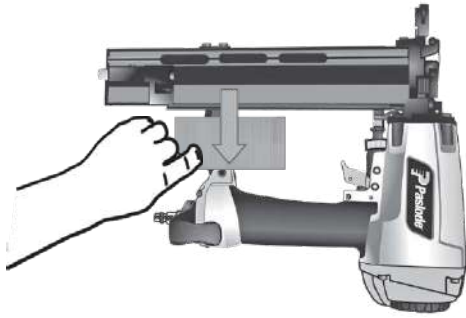
Maintenir la gâchette enfoncée et continuer à faire rebondir l'élément de contact sur la pièce à travailler, en plaçant l'outil au-dessus de celle-ci aussi soigneusement que possible.

Lorsque le nombre souhaité d'attaches a été atteint, relâcher la gâchette de l'outil pour éviter toute éjection accidentelle d'agrafe.



**MISE EN GARDE**

**Ne pas coincer ni maintenir la gâchette avec autre chose que votre main.**



### Déchargement des agrafes :

Pour décharger des agrafes, tirer simplement le pourvoyeur avec l'arrière du magasin, en position verrouillée, le couvercle du magasin s'ouvrira automatiquement. Faire glisser les agrafes vers l'arrière du magasin et dégager la bande d'agrafes du rail.

# UTILISATION DE L'OUTIL

## Les attaches

L'agrafeuse à couronne standard Paslode® utilise les attaches Paslode® de calibre 16 conges pour être utilisées avec cet outil. L'utilisation d'attaches qui ne répondent pas aux normes de Paslode pourrait endommager l'outil et annuler automatiquement toute garantie.

## Chargement des attaches

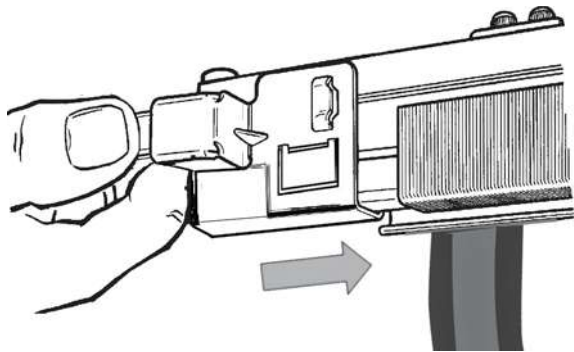
**Étape no 1 :** Débrancher l'outil de l'alimentation en air, tirer le pourvoyeur vers l'arrière jusqu'à ce qu'il s'enclenche à l'extrémité du magasin. Le couvercle du rail s'ouvrira automatiquement.



**Étape no 2 :** Insérer la bande d'agrafes dans le rail du magasin.



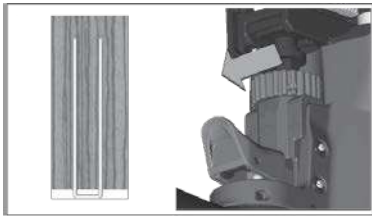
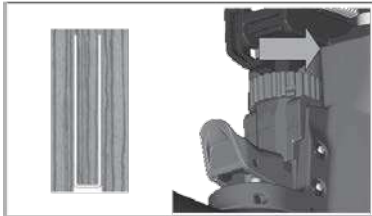
**Étape no 3 :** Appuyer sur le levier de libération du loquet du pourvoyeur ou libérer le pourvoyeur et le faire glisser vers l'avant jusqu'à ce qu'il touche la bande d'agrafes. Rebrancher l'alimentation en air. L'outil est maintenant prêt à être utilisé.



## Réglage de la profondeur d'entraînement

Débrancher l'alimentation en air.

Pour régler la profondeur d'entraînement, tourner la roue de réglage située sous la gâchette.



## Dégager un bourage

À l'occasion, il est possible qu'une attache se coince. Du fait de la conception unique de l'agrafeuse Paslode, il est facile de dégager une attache coincée :

1. Débrancher l'alimentation en air.
2. Tirer sur le loquet pour libérer le guide frontal. Faire pivoter ce guide vers l'avant.
3. Dégager le bourage et pousser la lame d'entraînement vers le haut à sa position normale.
4. Refermer le guide frontal et le verrouiller. Vérifier que l'élément de contact bouge librement.



## Fonction de verrouillage

Le but de cette fonction est d'empêcher des cycles à vide inutiles, ce qui pourrait gâcher des planches de bois et endommager des composantes de l'outil. L'élément de contact se bloquera lorsque le pourvoyeur atteindra la zone de verrouillage. Lors d'un changement de taille d'agrafe ou du chargement des agrafes au début de la journée de travail, il faut inspecter le magasin et le nez pour vérifier qu'aucune attache n'a été laissée dans l'outil.



Communiquer avec votre représentant local de Paslode pour une présentation du programme de sensibilisation à la sécurité de Paslode

**MISE EN GARDE**

Si toute instruction énoncée ci-dessus n'est pas suivie, cela pourrait entraîner des blessures graves pour l'utilisateur et les personnes présentes, ou bien endommager l'outil ou causer d'autres dommages matériels

## CONSIGNES DE SÉCURITÉ

### LA SÉCURITÉ AVANT TOUT

Ces consignes de sécurité offrent les renseignements nécessaires pour une utilisation sécuritaire des outils Paslode®. NE PAS ESSAYER D'UTILISER L'OUTIL AVANT D'AVOIR LU ET COMPRIS TOUTES LES CONSIGNES DE SÉCURITÉ ET TOUTES LES INSTRUCTIONS DU MANUEL.

### PORTER DE L'ÉQUIPEMENT DE PROTECTION POUR LES YEUX ET L'ŒILIE

Toujours porter des dispositifs de protection pour les yeux et l'œilie qui sont conformes aux exigences de la norme ANSI Z87+, lors de l'utilisation d'un outil ou en travaillant à proximité d'un outil. L'employeur est responsable de s'assurer que les employés utilisent des dispositifs de protection pour les yeux. Porter un casque de sécurité lorsque l'environnement l'exige.



### L'OUTIL DOIT ÊTRE UTILISÉ UNIQUEMENT AUX FINS PRÉVUES POUR CELUI-CI

Ne pas jeter l'outil à terre, ni frapper le boîtier en aucune manière, ni utiliser l'outil comme un marteau pour enfoncer du matériel en place.

### NE JAMAIS CHAQUETER AVEC L'OUTIL

L'outil n'est pas un jouet alors, ne pas l'utiliser ainsi. Ne jamais chahuter avec l'outil ou le pointer vers vous ou vers une autre personne, même si vous pensez qu'il n'est pas chargé.

### NE JAMAIS PRÉSUMER QUE L'OUTIL EST VIDE

Vérifier le magasin, des attaches peuvent se trouver encore dans l'outil. Même si vous pensez que l'outil est vide ou débranché, ne jamais le pointer vers vous ou vers une autre personne. Des attaches cachées pourraient être tirées à partir de l'outil.

### NE JAMAIS SERRER LA GÂCHETTE EN POSITION VERROUILLÉE OU ACTIVEE

La gâchette de l'outil ne doit jamais être trafiquée, désactivée ou serrée en position verrouillée ou activée, car cela permettrait à l'outil de tirer une attache chaque fois que l'élément de contact touche la pièce à travailler.

### NE PAS CHARGER DES ATTACHES LORSQUE L'ALIMENTATION EN AIR EST BRANCHÉE, LORSQUE LA GÂCHETTE EST ENFONCÉE OU PIÈCE À TRAVAILLER

Lors du chargement d'attaches dans l'outil, s'assurer de débrancher l'alimentation en air et de ne pas enfoncer la gâchette ou l'élément de contact sur la pièce à travailler.

### UTILISER L'OUTIL UNIQUEMENT SUR UNE PIÈCE À TRAVAILLER

L'outil doit être utilisé uniquement lorsqu'il est en contact avec la pièce à travailler. Même dans ce cas, il faut faire attention lorsque l'on travaille sur des matériaux fins ou à proximité des bords et des coins de la pièce de travail, car les attaches peuvent traverser la pièce à travailler ou s'en écarter.



### DÉBRANCHER L'OUTIL QUAND IL N'EST PAS UTILISÉ

Toujours débrancher l'outil de l'alimentation en air lorsqu'il n'est pas utilisé, lorsque vous quittez la zone de travail, ou lorsque vous déplacez l'outil à un autre endroit. L'outil ne doit jamais être laissé sans surveillance, car des personnes ne connaissant pas l'outil pourraient le manipuler et se blesser ou blesser d'autres personnes.

### TRANSPORTER L'OUTIL UNIQUEMENT PAR SA POIGNÉE

Toujours transporter l'outil par sa poignée uniquement. Ne jamais transporter l'outil par le tuyau d'air ou avec la gâchette enfoncée, car cela pourrait éjecter une attache accidentellement et vous blesser ou blesser quelqu'un d'autre.

### NE PAS FRAGILISER LE BOÎTIER DE L'OUTIL

Le boîtier de l'outil est un récipient sous pression et il ne doit jamais être fragilisé en gravant ou en poinçonnant le nom de l'entrepreneur, du lieu de travail ou autre, sur sa surface.

### DÉBRANCHER L'OUTIL LORS DES RÉPARATIONS OU DU DÉGAGEMENT DE BOURRAGES

Ne jamais essayer de dégager un bouchon ou de réparer un outil sans le débrancher de l'alimentation en air et sans retirer les attaches restant dans l'outil.

**TOUJOURS UTILISER LE BON RACCORD POUR L'OUTIL**

Seuls des raccords MALLS de type pneumatique doivent être installés sur l'outil, afin que l'air sous haute pression puisse être évacué dans l'atmosphère des que l'alimentation en air est débranchée.

NE JAMAIS installer de raccords FEMELLEES à déconnexion rapide sur l'outil. Les raccords femelles vont emprisonner l'air sous haute pression dans l'outil lorsque l'alimentation en air est débranchée, ce qui laisse l'outil chargé et capable d'éjecter au moins une attache.

### NE JAMAIS DÉPASSER LA PRESSION D'AIR MAXIMALE RECOMMANDÉE

Utiliser l'outil uniquement à la pression d'air recommandée. Ne pas dépasser la pression d'air maximale indiquée sur l'outil. S'assurer que la jauge de pression d'air fonctionne correctement et la vérifier au moins deux fois par jour.

### INSPECTER L'OUTIL, VÉRIFIER SON BON FONCTIONNEMENT ATTACHES RECOMMANDÉES PAR PASLODE

Utiliser uniquement des pièces de rechange et des attaches conçues spécialement et recommandées par Paslode pour une utilisation avec l'outil et pour le travail à effectuer. L'utilisation de pièces de rechange et d'attachées non autorisées ou une modification quelconque de l'outil peut créer des situations dangereuses. Remplacer toutes les étiquettes de mise en garde manquantes. Se référer au schéma de l'outil pour trouver les numéros des pièces et leur emplacement.



**CARACTÉRISTIQUES DE L'OUTIL ET DES ATTACHES****CARACTÉRISTIQUES DE L'OUTIL**

<b>NO DE MODÈLE</b>	WCS200 (no de pièce : 515800)
<b>HAUTEUR</b>	11,7 po
<b>LARGEUR</b>	3,4 po
<b>LONGUEUR</b>	15,1 po
<b>POIDS</b>	5 lb 15 oz
<b>PRESSION DE FONCTIONNEMENT</b>	80 à 120 psi (5,5 à 8,3 bars)

**CARACTÉRISTIQUES DES ATTACHES**

<b>LONGUEUR DES AGRAFES</b>	0,75 à 2 po
<b>DIAMÈTRE DES AGRAFES</b>	Calibre 16

**RACCORDS PNEUMATIQUES DE L'OUTIL :**

Cet outil utilise un raccord mâle N.P.T. de ¼ po. Le diamètre intérieur doit être d'au moins 0,28 po (7 mm). Le raccord doit être capable de libérer la pression d'air de l'outil lorsqu'il est débranché de l'alimentation en air.

**PRESSION D'AIR DE FONCTIONNEMENT :**

De 80 à 120 psi (de 5,5 à 8,3 bars). Choisir une pression d'air de fonctionnement dans cette plage pour obtenir le rendement maximum de l'outil.

**NE PAS DÉPASSER CETTE PRESSION DE FONCTIONNEMENT RECOMMANDÉE.**

## INTRODUCTION

L'agrafeuse à couronne standard **PASLODE® WCS200** est un outil de qualité prévu pour des travaux résidentiels. Cet outil offrira un rendement efficace et fiable s'il est utilisé selon les lignes directrices du fabricant. Veuillez étudier ce manuel ainsi que les consignes de sécurité afin de bien comprendre l'utilisation de cet outil.

<b>CARACTÉRISTIQUES DE L'OUTIL ET DES ATTACHES</b> .....	<b>3</b>
<b>CONSIGNES DE SÉCURITÉ</b> .....	<b>4</b>
<b>UTILISATION DE L'OUTIL</b> .....	<b>5</b>
<b>VUE ÉCLATÉE ET LISTE DES PIÈCES DE RECHANGE</b> .....	<b>10-11</b>
<b>ACCESSOIRES</b> .....	<b>12</b>

## GARANTIE DE L'OUTIL ET LIMITATIONS

### DÉCLARATION DE GARANTIE

Cette garantie est limitée aux outils vendus et à l'entretien requis aux États-Unis (et au Canada). Pour obtenir des renseignements sur le service de garantie aux États-Unis (et au Canada), se référer à la liste des centres de service fournie avec votre outil.

En vertu des présentes, la seule responsabilité de Paslode sera de remplacer toute pièce ou tout accessoire qui s'avère défectueux au cours de la période de temps indiquée. Tout remplacement d'une pièce ou d'un accessoire fourni dans le cadre de cette garantie disposera d'une garantie d'une durée égale au temps restant de la garantie concernant la pièce remplacée. Cette garantie ne s'applique pas au remplacement d'une pièce du fait de son usure normale.

Cette garantie est annulée si l'outil a été soumis à une mauvaise utilisation, à de mauvais traitements, à des dommages accidentels ou intentionnels, s'il a été utilisé avec des attaches qui ne répondent pas aux spécifications de Paslode, en taille ou en qualité, s'il a été entretenu de façon inappropriée, réparé avec des pièces qui ne sont pas d'origine, endommagé durant le transport ou la manipulation, modifié ou réparé d'une façon qui affecte ou réduit le rendement de l'outil.

PASLODE NE DONNE AUCUNE GARANTIE, EXPRESSE OU IMPLICITE, EN CE QUI CONCERNE LA QUALITÉ, À MARCHANDE, L'ADÉQUATION, OU AUTRE, À L'EXCEPTION DE LA DÉCLARATION CI-DESSUS, ET LA RESPONSABILITÉ DE PASLODE, COMME DÉCLARÉE ET CONVENUE CI-DESSUS, remplace toute autre garantie découlant de l'utilisation ou du rendement de celui-ci, ou liée à ceux-ci, sauf dans la limite prévue plus généralement par la législation en vigueur. PASLODE NE POURRA AUCUNEMENT ÊTRE TENU RESPONSABLE DE TOUT DOMMAGE DIRECT, INDIRECT OU CONSÉQUENT, Y COMPRIS, ENTRE AUTRES, LES DOMMAGES DÉCOULANT DE LA PERTE DE PROFITS OU DE PRODUCTION ANTICIPÉS, DU GASPILLAGE DE MATÉRIAUX, DE L'AUGMENTATION DES COÛTS DE FONCTIONNEMENT, OU AUTREMENT.

Paslode garantit que les outils pneumatiques de fixation, leurs pièces et leurs accessoires nouvellement achetés seront exempts de tout défaut de matériaux et de fabrication pour la période indiquée ci-dessous, à partir de la date de livraison à l'utilisation originale.

### GARANTIE COMPLÈTE D'UN AN

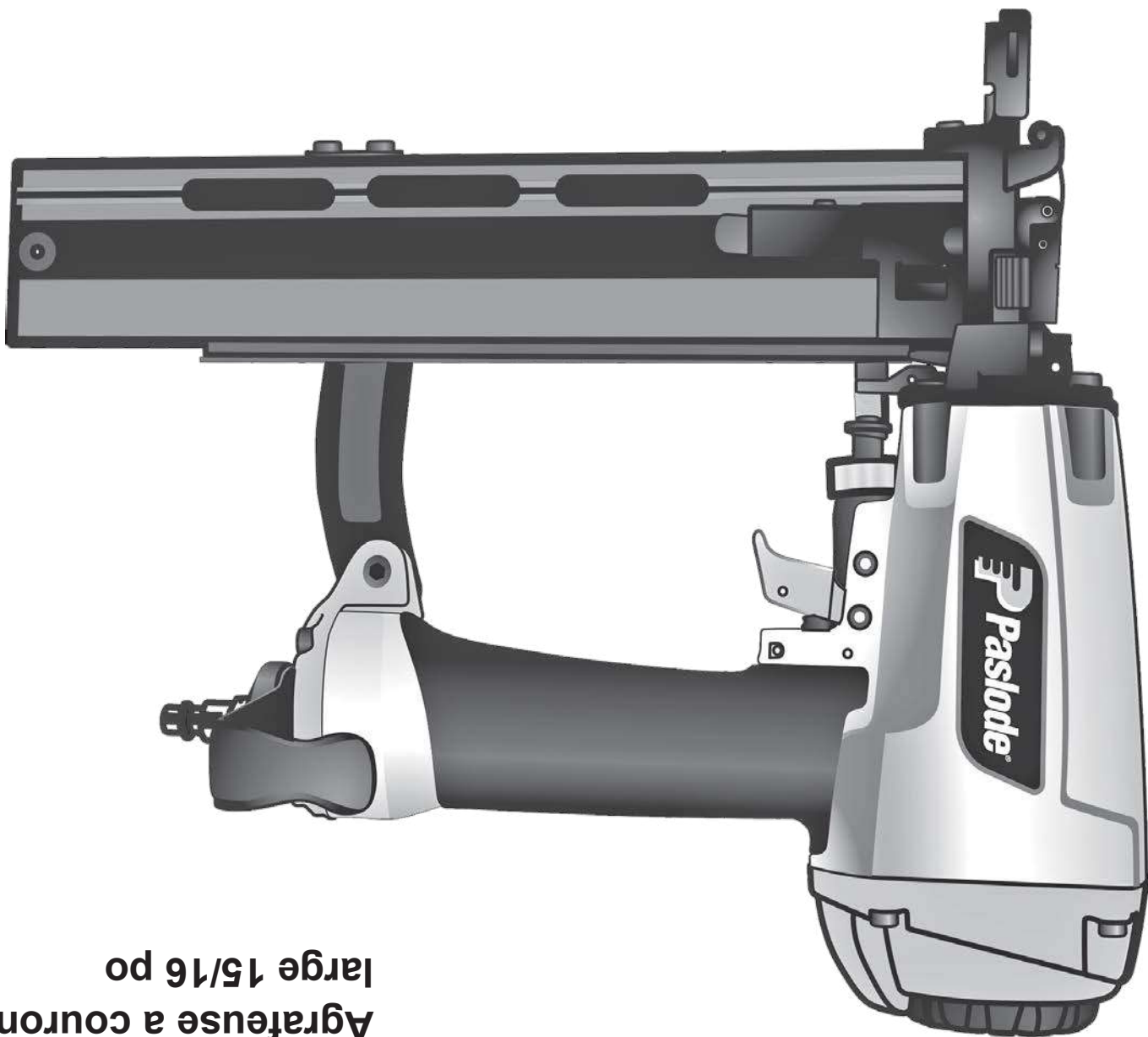
Une garantie complète d'un an s'appliquera à toutes les pièces, à l'exception des pièces couvertes de façon particulière par une garantie prolongée.

### GARANTIE LIMITÉE PROLONGÉE DE CINQ ANS

Une garantie de cinq ans s'appliquera à toutes les pièces moulées de l'assemblage du boîtier et du couvercle.

**IMPORTANT!**  
**NE PAS DÉTRUIRE**  
Il est de la responsabilité du client de  
s'assurer que tous les utilisateurs et le  
personnel d'entretien lisent et comprennent  
ce manuel.

**MANUEL D'UTILISATION  
ET SCHÉMAS**



**MODÈLE WCS200**  
**Agrafeuse à couronne**  
**large 15/16 po**

No de pièce : 515800

**Paslode®**