

# Positive Placement®

## PARTS LEGEND

## Metal Connector Nailer

PF250S-PP 511800

1	502330	1	Main Valve Nut	* 49	092747	1	O-Ring
2	502304	1	Air Deflector	50	502060	1	Spring, Trigger
3	502343	1	Wave Washer	51	502225	1	Trip Lever
▲ 4	502339	4	S.H.C.S. #10-24 x 7/8"	52	091866	1	Roll Pin 1/8" x 3/4"
5	408302	7	Flat Washer	* 53	502042	1	O-Ring
6	511803	1	Cap	54	513103	1	Trigger Body, Sequential
7	502313	1	Gasket, Cap	55	511806	1	Nose
8	360594	1	Spring,	56	002187	5	Lock Washer
* 9	202382	1	O-Ring	▲ 57	091545	4	S.H.C.S. 1/4-20 x 7/8"
*10	201806	1	O-Ring	58	511824	1	Spring, Bias Lever.
*11	539676	1	O-Ring	59	513107	1	Bias Lever Pin
*12	502056	1	Exhaust Seal Assembly	* 60	501410	1	O-Ring, Retainer
13	1011802	1	Washer	61	511808	1	Bias Lever
▲ 14	502327	1	B.H.C.S. 1/4-20 x 1-1/2"	62	511821	1	W.C.E., Upper
* 15	502311	1	Piston Seal	63	502328	1	Spring
16	511809	1	Sleeve, Cylinder	64	404361	1	Roll Pin
* 17	092971	1	O-Ring, Flange	65	502049	1	Ball, Detent
18	502307	1	Flange	66	502061	1	Spring
* 19	192799	1	O-Ring, Flange	67	503069	1	Detent Body
* 20	502310	1	Check Band	68	511015	1	Thumbwheel Assy.
* 21	502317	1	Bumper	69	502325	1	Roll Pin
* 22	511587	1	Blade Seal	70	511820	1	W.C.E. Lower
23	502302	1	Housing W/Overmolded grip	71	007631	1	Roll Pin
24	511825	1	S.H.C.S. 5/16-18 x 3/8"	72	511059	1	Probe
25	404274	1	Washer	▲ 73	502337	4	S.H.C.S. 1/4-20 x 3/8"
26	511804	1	Quick Clear Knob	74	502323	1	Magazine Washer
27	511826	1	Hex Spacer	** 75	511822	1	Label, Model
28	502332	1	Rafter Hook	76	511812	1	Magazine Mount
29	502345	1	S.H.C.S. 5/16-18 x 5/8"	77	511827	1	Quick Clear Label
30	502034	1	Label, Housing-Right	78	513109	1	Label, Fastener Usage/ Follower Release
31	502035	1	Label, Housing-left	79	092037	1	Lock Nut
32	380931	1	Roll Pin 3/16 x 1-1/2"	80	511523	1	End Cap, Magazine
33	502033	1	W.C.E. Guide Block	▲ 81	502347	1	S.H.C.S. 10-32 x 5/8"
34	502333	1	Roll Pin, Trigger 1/8 x 1-1/2"	82	511807	1	Shear Block
35	403796	1	Roll Pin, Trigger 1/8 x 1-1/4"	83	511819	1	Magazine
36	026133	3	Roll Pin, End Plug	84	502928	1	Label, Logo
* 37	402963	1	O-Ring, End Plug	85	513101	1	Follower Claw
38	511805	1	End Plug, Housing	86	502340	1	Spiral Pin
▲ 39	511811	1	Mounting Lug	87	502025	1	Spring Drum Assembly
40	511829	2	S.H.C.S. #10-24 x 1-1/8"	88	502226	1	Negator Spring
41	502324	1	Pin, Trigger	89	502020	1	Spring, Follower Body
* 42	197913	1	O-Ring	▲ 90	500627	1	B.H.C.S. 8-32 x 1/2"
43	502044	1	Upper Valve Spool	91	502318	1	Follower Body
44	502059	1	Spring, Valve Pin	92	502335	1	Lockout Bar
* 45	1015358	1	O-Ring	93	513106	1	Bias Lever Bracket
46	502045	1	Valve Pin				
* 47	196345	1	O-Ring				
48	502043	1	Lower Valve Spool				

\* Denotes Normal Wear Items

\*\* Make sure Warning Label (Part No. 511822) is properly affixed. Replace if necessary. Label available at no charge through the Service Department.

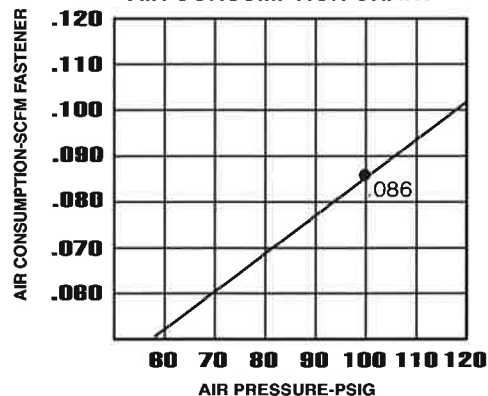
▲ Apply Loctite® 242 (Blue) Part No. 093500

→ Denotes New Change

### ▲ WARNING

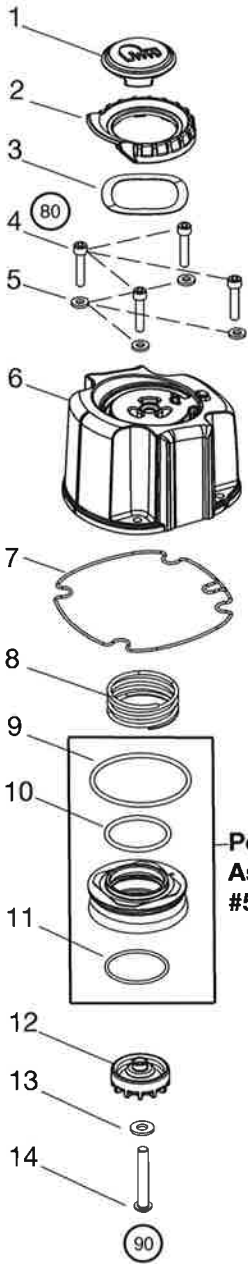
All parts must be periodically inspected and replaced if worn or broken. Failure to do this can affect the tool's operation and present a safety hazard.

AIR CONSUMPTION CHART

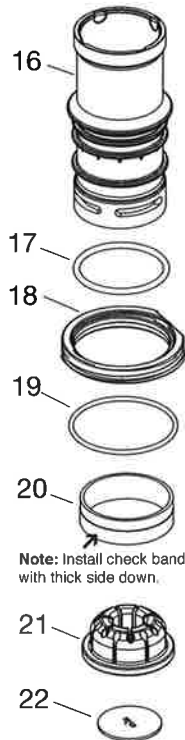
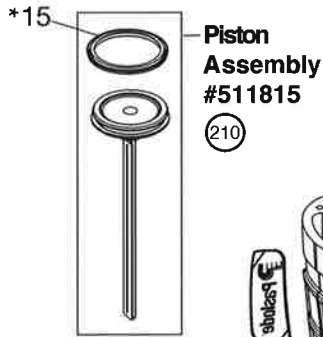


**Positive Placement®  
Metal Connector Nailer  
PF250S-PP  
511800**

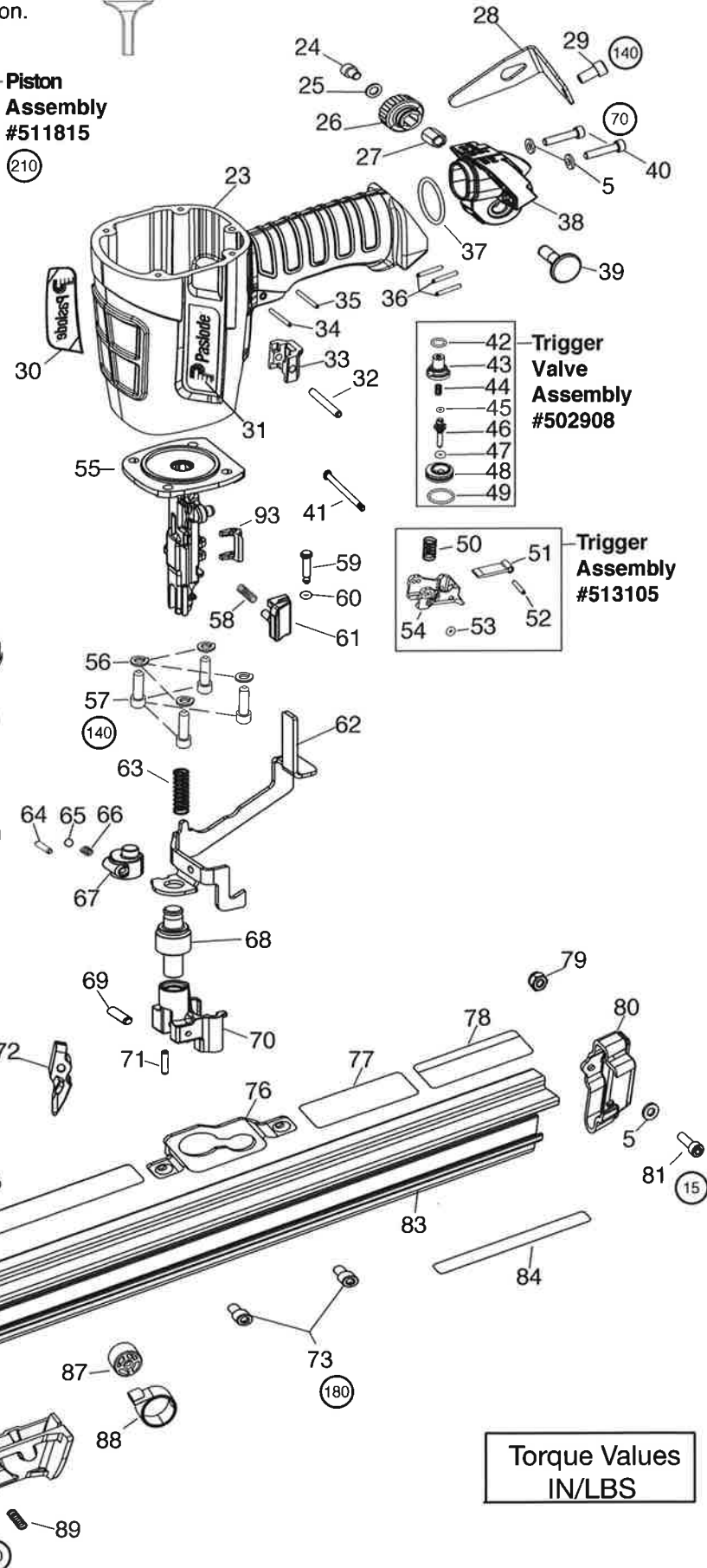
\* Seal must be installed in this position.



**Poppet Assembly #502920**



Note: Install check band with thick side down.



**Torque Values  
IN/LBS**