

PARTS LEGEND 3150/38 N18, 403220

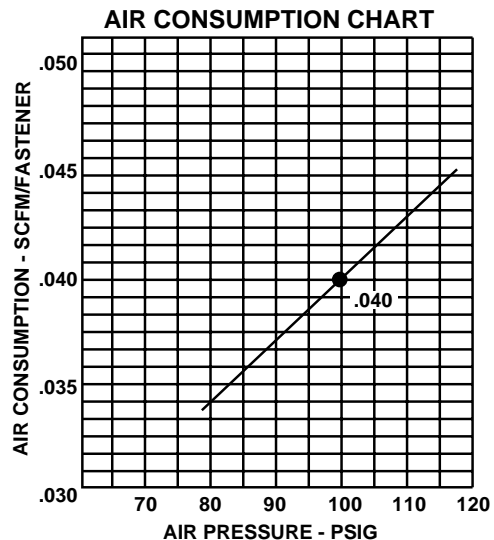
1	091362	4	Socket Head Capscrew, 1/4 - 20 x 1-1/2"	41	097748	1	Spring, Valve Pin
2	002187	4	Lock Washer, 1/4"	42	091591	1	"O" Ring, End Plug
3	404242	1	Air Diffuser	43	401940	1	End Plug
4	006310	1	Socket Head Capscrew, #6 - 32 x 1/2"	44	091622	1	Reducing Pipe Bushing
6	402704	1	Cap	45	004502	4	Socket Head Capscrew, #10 - 32 x 5/8"
7	402717	1	Conical Spring	46	092037	5	Lock Nut, #10 - 32
8	404230	1	Retaining Ring	47	403219	1	Rail Bracket
*9	091537	1	"O" Ring, Main Valve Assembly	48	403716	2	Socket Head Capscrew, #10 - 32 x 5/16"
10	404122	1	Upper Valve Piston	50	402629	2	Hardened Washer
11	404055	1	Post, Main Valve	51	402794	1	Intermediate Work Contacting Element
*12	404256	1	"O" Ring, Main Valve Post	*52	402738	1	Spring
*13	402723	1	"O" Ring, Piston	53	403379	1	Work Contacting Element
14	403563	1	Piston	*54	402734	1	Spring
15	403582	1	Jam Nut	55	403214	1	Front Guide
*16	403727	1	Driver Blade	56	404698	2	Roll Pin Assembly
17	402725	1	Seal, Sleeve	57	403213	1	Back Plate
18	405245	1	Sleeve	58	402730	1	Pivot Pin, Front Guide
*19	402728	1	"O" Ring, Sleeve	59	092178	1	Roll Pin, 5/32" Dia. x 1" Lg.
*20	402729	1	"O" Ring, Sleeve	60	405078	1	Spring, Front Guide Latch
21	403854	1	Retainer, Bumper	61	403215	1	Latch, Front Guide
*22	403853	1	Bumper	**62	500459	1	Warning Sign
23	403222	1	Seal, Driver Blade	63	403753	1	Rail Cover Assembly
*24	402707	1	Gasket, Cap	64	403218	1	Rail
25	402701	1	Housing	65	403376	1	Spacer, Rail Cover
26	404939	2	Logo, Housing	66	403380	2	Spacer, Rail to Bracket
27	500692	1	Nameplate	67	403221	1	Follower
28	402708	1	Gasket, Flange	68	080326	2	Socket Head Capscrew, #10-32 x 1"
29	402706	1	Flange	69	009059	3	Socket Head Capscrew, #10 - 32 x 3/4"
▲30	091545	4	Socket Head Capscrew, 1/4 - 20 x 7/8"	70	403217	1	Extension Spring, Follower
31	405144	1	Trigger	71	091447	4	Flat Washer
32	402079	1	Pin, Trigger	72	404243	4	Spacer, Diffuser
33	404325	1	Stop Nut #8 - 32	*73	092773	1	"O" Ring
34	404054	1	Seal, Main Valve	74	404056	1	Lower Valve Piston
*35	090927	1	"O" Ring	75	405147	1	Lever, Trigger
*36	092775	1	"O" Ring	76	005849	1	Roll Pin
37	026133	2	Roll Pin, 1/8" Dia. x 1" Lg.	79	091966	1	O-Ring
38	401958	1	Valve Body	80	405243	1	Flange
39	092174	1	"O" Ring, Valve Body	81	500488	1	Grip, Handle
40	097746	1	Valve Pin				

* Denotes normal wear items.

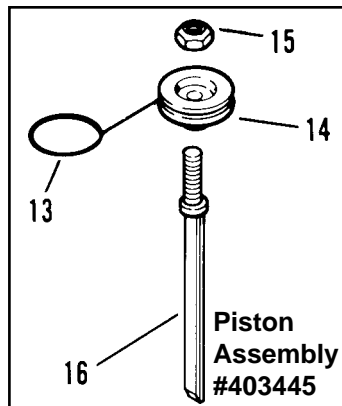
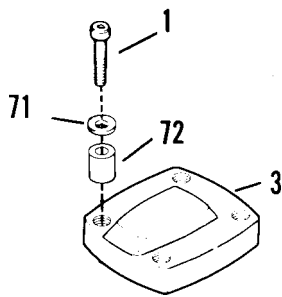
** Make sure warning label (500457) is properly affixed. Replace if necessary. Label available at no charge through the Service Dept.

▲ Apply Loctite 242 (Blue) Part No. 093500

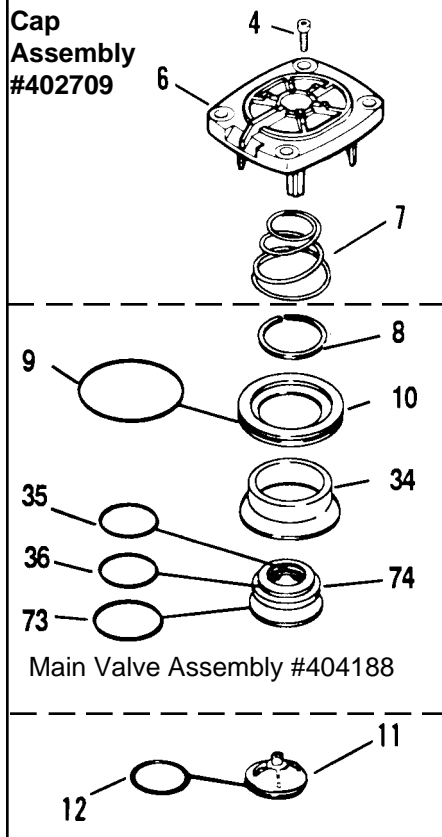
➔ Denotes new change.



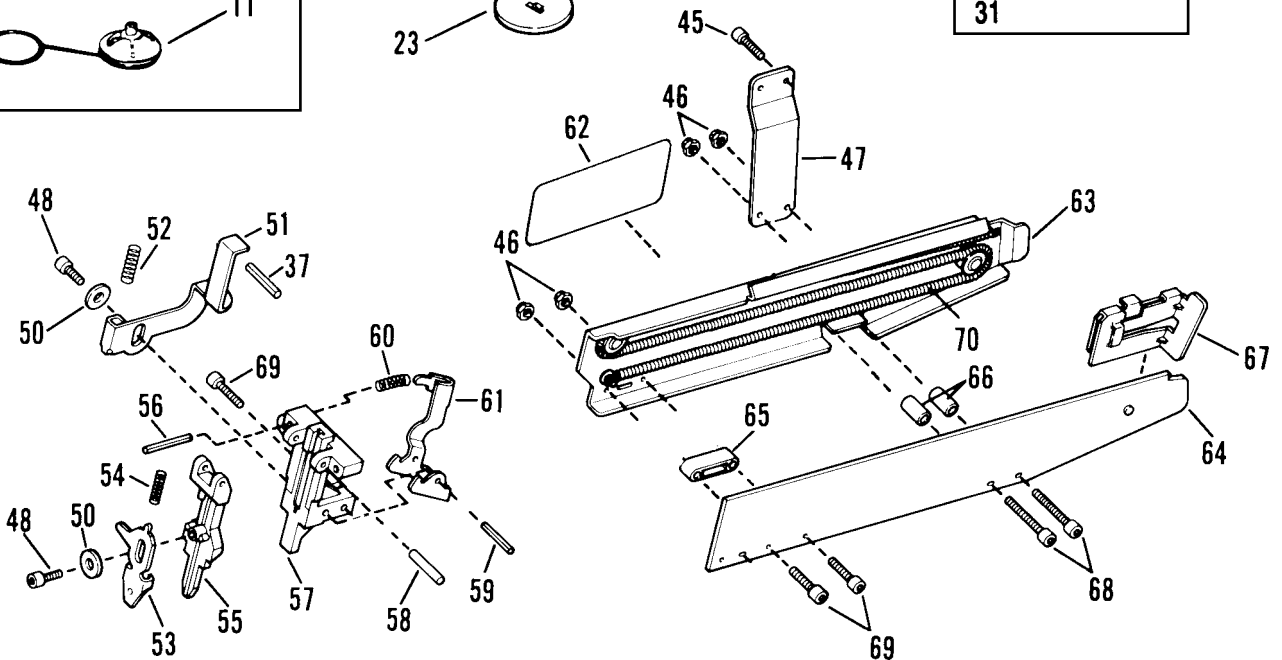
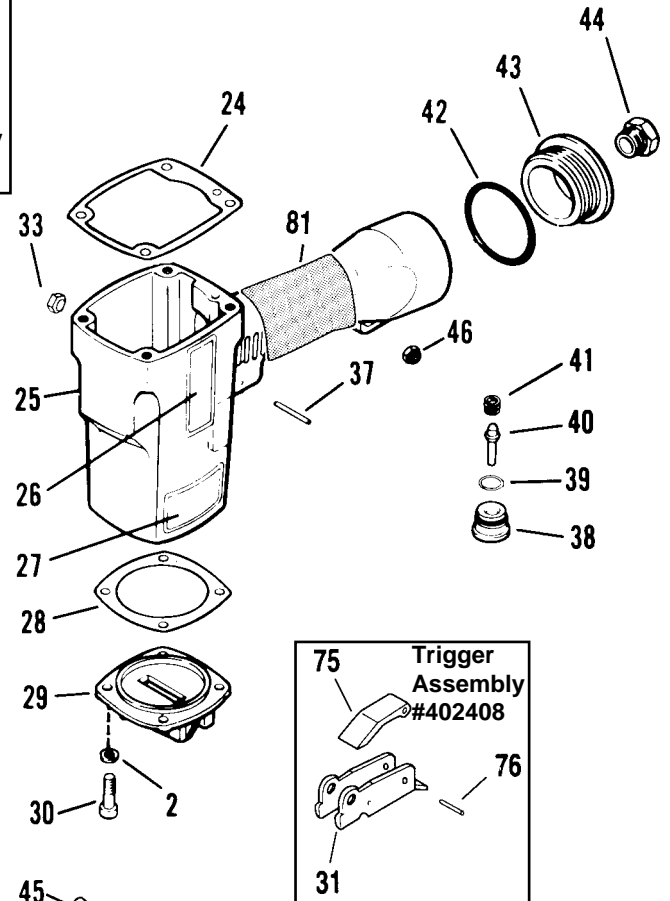
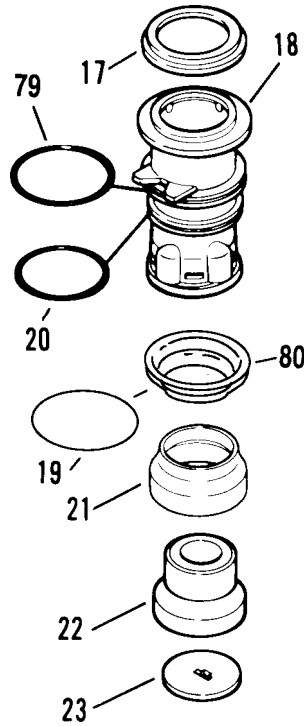
3150/38 N18
403220



Cap Assembly #402709



Main Valve Assembly #404188



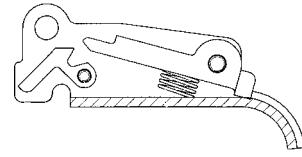
Warning

All parts must be periodically inspected and replaced if worn or broken. Failure to do this can affect the tool's operation and present a safety hazard.

ACCESSORIES

Sequential Operating Kit

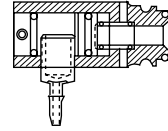
This special attachment is designed for sequential operation (stops "contact firing"). The operator must depress and hold the work contacting element against the work surface before pulling the trigger. This sequence must be repeated each time the tool drives a fastener.



Part No. 406006

Remote Fire Valve

This valve via a positive air signal allows a machine mounted tool to be operated from an automatic air valve or foot pedal system.



Part No. 1x0713

Tool Repair Kit

This kit repairs all air leaks except for trigger valve.

Part No. 219222

Trigger Valve Repair Kit

This kit repairs all trigger valve air leaks.

Part No. 219224

Lubricants and Loctite

Loctite 242 (Blue) 10

Part No. 093500

Lubricating Oil 8 oz.

Part No. 219026

Lubricating Oil with Antifreeze

Part No. 219090

Chemplex 710 Lubricant 1 lb.

Part No. 403734

Degreaser Cleaner

Ideal Cleaner for all Paslode Tools

Part No. 219086

Universal Belt Hook

Attaches to cap of tool enabling you to carry tool on belt holder

Part No. 219017

Belt Hook Holder

Attaches to work belt and carries tool using the above belt hook

Part No. 219028

Safety Glasses

Clear

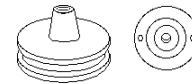
Part No. 402510

Tinted

Part No. 402512

Quick Exhaust Piston

For fast cycling applications.



Part No. 1X1363

SAFETY INSTRUCTIONS

WEAR EYE AND HEARING PROTECTION

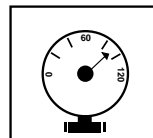
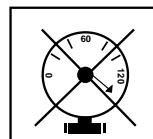


Always wear hearing protection and eye protection devices, including side shields when operating or working in the vicinity of a tool.



Never use any bottled air or gases such as oxygen to operate the tool since they could cause the tool to explode.

DO NOT EXCEED MAXIMUM RECOMMENDED AIR PRESSURE



Operate the tool using only the recommended air pressure. Do not exceed the maximum air pressure marked on the tool. Be sure the air pressure gauge is operating properly and check it at least twice a day.



An Illinois Tool Works Company
888 Forest Edge Drive
Vernon Hills, Illinois 60061